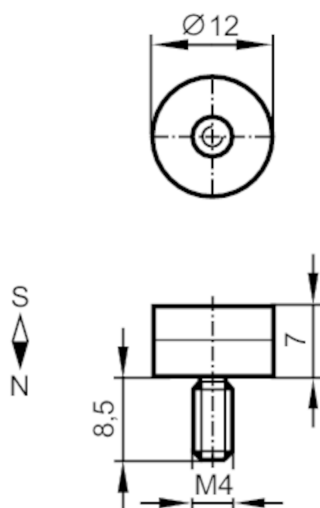


# E12541



## Damping magnet

MAGNET M7.1 NEODYM,SCREW M6



### Operating conditions

Ambient temperature [°C] -40...80

### Mechanical data

Weight [g] 5.2

Dimensions [mm]  $\varnothing 12 / L = 7.5$

Materials neodymium; plastics

Magnetic field strength [mT] 280

### Remarks

Pack quantity 1 pcs.