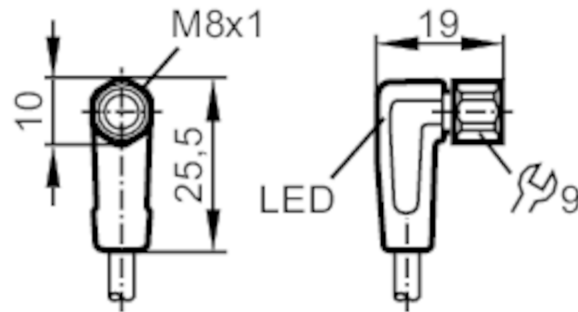


# EVF132



## Connecting cable with socket

ADOAF032VAS0010P03



Application		
Special feature	Free from silicone; Halogen-free; Gold-plated contacts; Drag chain suitability	
Application	hygienic and wet areas in the food industry	
Free from silicone	yes	
Electrical data		
Operating voltage	[V]	10...36 DC; (cULus: 10...30 DC)
Protection class		III
Max. current load total	[A]	3
Outputs		
Electrical design		PNP
Operating conditions		
Ambient temperature	[°C]	-25...80
Ambient temperature (moving)	[°C]	5...80
Protection		IP 65; IP 67; IP 68; IP 69K
Tests / approvals		
UL approval	power supply	Class 2
Mechanical data		
Weight	[g]	285.7
Dimensions	[mm]	19 x 10 x 25.5
Materials		housing: PP black transparent; Sealing: EPDM
Material nut		stainless steel (1.4404 / 316L)
Drag chain suitability		yes

# EVF132



## Connecting cable with socket

ADOAF032VAS0010P03

Drag chain suitability	bending radius for flexible use	min. 10 x cable diameter
	travel speed	max. 3.3 m/s for a horizontal travel length of 5 m and max. acceleration of 5 m/s <sup>2</sup>
	bending cycles	> 1 Mio.
	torsional strain	± 180 °/m

### Displays / operating elements

Display	switching status	1 x LED, yellow
	operation	1 x LED, green

### Remarks

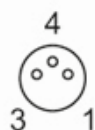
Pack quantity	1 pcs.
---------------	--------

### Electrical connection

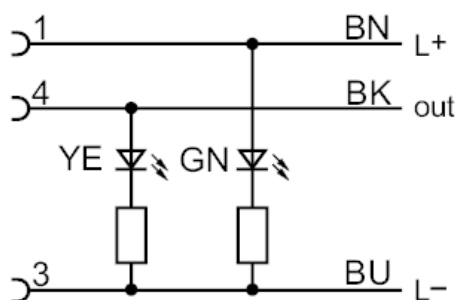
Cable: 10 m, MPPE, Halogen-free, grey, Ø 4.9 mm; 3 x 0.34 mm<sup>2</sup> (42 x Ø 0.1 mm )

### Electrical connection - socket

Connector: 1 x M8, angled; coding: A; Locking: stainless steel (1.4404 / 316L); Contacts: gold-plated; Tightening torque: 0.3...0.5 Nm



### Connection



Core colours :  
 BK = black  
 BN = brown  
 BU = blue