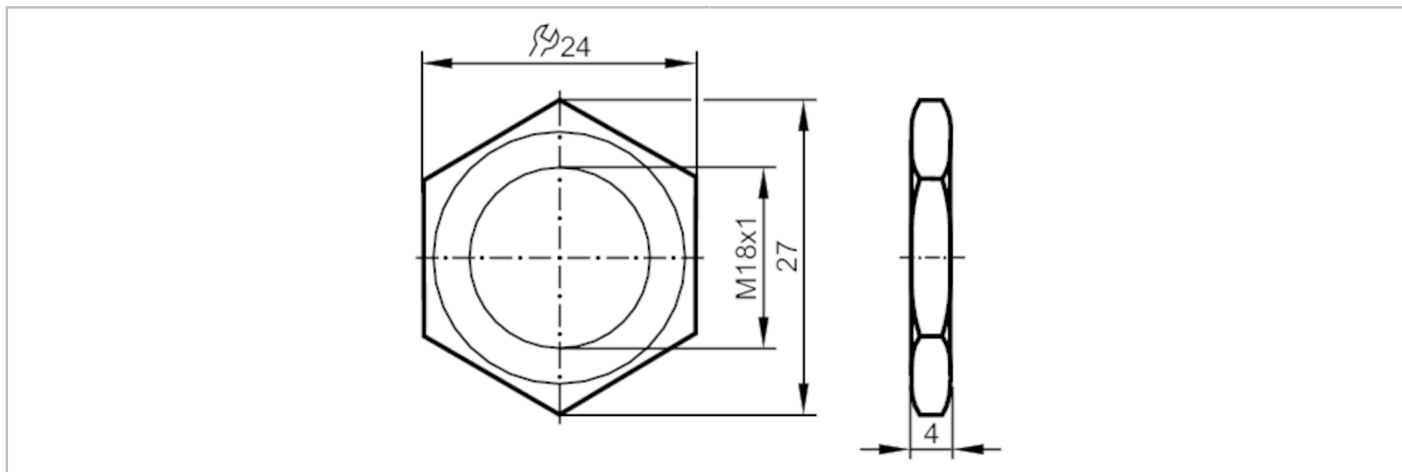


# E21090



## Hexagon nut

NUT M18 ST.STEEL 10PCS.



Mechanical data	
Weight [g]	79
Dimensions [mm]	M18 x 1
Thread designation	M18 x 1
Materials	stainless steel (1.4571/316Ti)
Remarks	
Pack quantity	10 pcs.