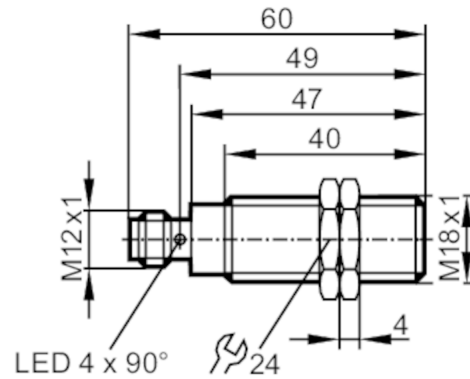


# IGC234



## Inductive AS-Interface sensor

IGK2008BASI /M/US-104



Product characteristics	
Electrical design	AS-i
Sensing range [mm]	8
Housing	threaded type
Dimensions [mm]	M18 x 1 / L = 60
Application	
Special feature	Gold-plated contacts
Application	Use in machine tools, coolants and lubricants
Electrical data	
Operating voltage [V]	26.5...31.6 DC
Current consumption [mA]	< 30
Protection class	III
Reverse polarity protection	yes
Max. power-on delay time [ms]	1000
Outputs	
Electrical design	AS-i
Switching frequency DC [Hz]	100
Detection zone	
Sensing range [mm]	8
Operating distance [mm]	0...6.5
Accuracy / deviations	
Correction factor	steel: 1 / stainless steel: 0.7 / brass: 0.5 / aluminium: 0.45 / copper: 0.35
Hysteresis [% of Sr]	1...20
Operating conditions	
Ambient temperature [°C]	-25...70
Protection	IP 68; ("Coolant")



## Inductive AS-Interface sensor

IGK2008BASI /M/US-104

Tests / approvals		
EMC	EN 61000-4-2 ESD	4 kV CD / 8 kV AD
	EN 61000-4-3 HF radiated	10 V/m
	EN 61000-4-4 Burst	2 kV
	EN 61000-4-6 HF conducted	10 V
	EN 55011	class B
MTTF	[years]	1570
UL approval	Ta	-25...70 °C
	Enclosure type	Type 1
	power supply	Limited Voltage/Current
	File number UL	E174191

AS-i classification					
AS-i version	2.1				
Extended addressing mode	yes				
AS-i I/O configuration	[hex] 0				
AS-i ID code	[hex] A.F				
AS-i certificate	57201				
Assignment of the data bits	Designation	switching signal	not used	not used	not used
	status = 0	target outside the active zone	-	-	-
	status = 1	target within the active zone	default value	default value	default value

Mechanical data	
Weight	[g] 47.2
Housing	threaded type
Mounting	flush mountable
Dimensions	[mm] M18 x 1 / L = 60
Thread designation	M18 x 1
Materials	threaded sleeve: stainless steel (1.4404 / 316L); sensing face: LCP uncoloured; lock nuts: brass

Displays / operating elements		
Display	switching status	4 x 90° LED, yellow
	function	1 x LED, red

Accessories	
Items supplied	lock nuts: 2

Remarks	
Pack quantity	1 pcs.

### Electrical connection - plug

Connector: 1 x M12; coding: A; Contacts: gold-plated



# IGC234



## Inductive AS-Interface sensor

IGK2008BASI /M/US-104

### Connection

