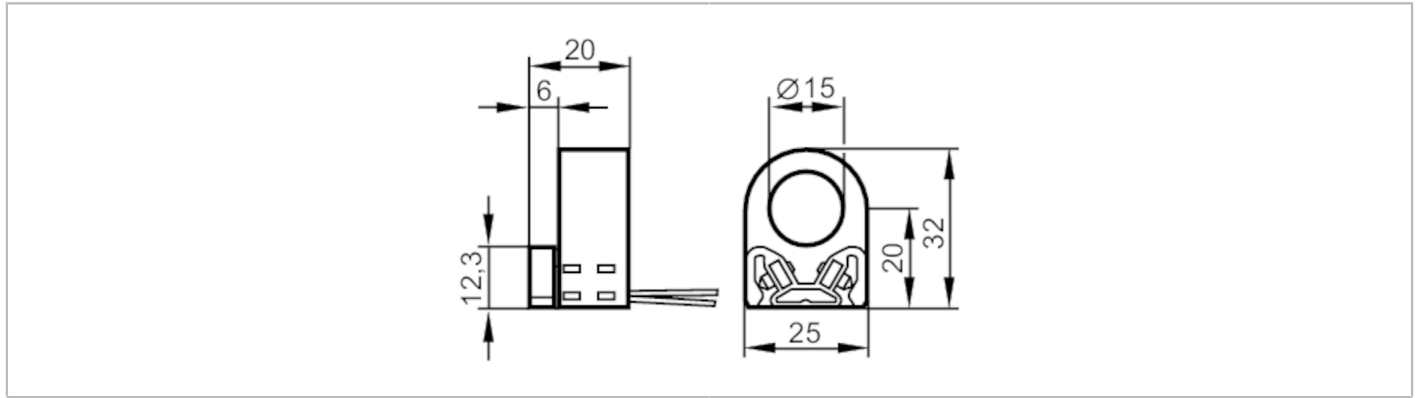


# N7R22A



## Inductive NAMUR ring sensor

I7R2015-N /1G/1D



### Product characteristics

Electrical design	NAMUR
Output function	normally closed
Housing	circular
Dimensions [mm]	32 x 25 x 20

### Electrical data

Connection to switching amplifiers	yes
Switching amplifiers	connection to certified intrinsically safe circuits with the max. values: U = 15 V / I = 50 mA / P = 120 mW
Nominal voltage DC [V]	8.2; (1k $\Omega$ )
Current consumption [mA]	< 1.2; (disabled; conductive: > 2,1)
Protection class	III

### Outputs

Electrical design	NAMUR
Output function	normally closed

### Detection zone

Measuring ball (diameter) [mm]	6
Max. travel speed [m/s]	25

### Accuracy / deviations

Hysteresis [mm]	1
-----------------	---

### Operating conditions

Ambient temperature [°C]	-40...100
Note on ambient temperature	max. temperature span: 100 K
Protection	IP 67

### Tests / approvals

Approval	BVS 08 ATEX E026; IECEx BVS 09.0016
ATEX marking	$\text{Ex}$ II 1G Ex ia IIC T4 Ga
	$\text{Ex}$ II 1D Ex ia IIIC T125°C Da
EMC	EN 60947-5-2
MTTF [years]	3318

# N7R22A



## Inductive NAMUR ring sensor

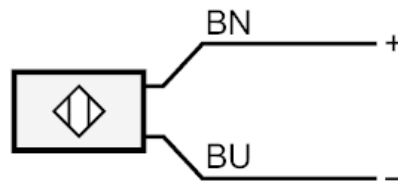
I7R2015-N /1G/1D

Safety classification		
Max. internal capacitance	[nF]	150
Max. internal inductance	[µH]	100
Mechanical data		
Weight	[g]	46.8
Housing		circular
Dimensions	[mm]	32 x 25 x 20
Inside diameter	[mm]	15
Materials		PA 12-GF30
Remarks		
Pack quantity		1 pcs.

### Electrical connection

Cable: 0.15 m; 2 x 0.14 mm<sup>2</sup>, PTFE

#### Connection



BN = Core colours :  
BU = brown  
blue