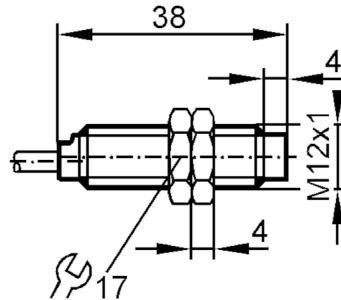


IF6014



Inductive sensor

IFB35,5-BPKG/2M/PVC/OLED



Product characteristics

Electrical design		PNP
Output function		normally open
Sensing range	[mm]	5.5
Housing		threaded type
Dimensions	[mm]	M12 x 1

Electrical data

Operating voltage	[V]	10...36 DC
Current consumption	[mA]	15; (24 V)
Protection class		III
Reverse polarity protection		yes

Outputs

Electrical design		PNP
Output function		normally open
Max. voltage drop switching output DC	[V]	2.5
Permanent current rating of switching output DC	[mA]	150
Switching frequency DC	[Hz]	800
Short-circuit protection		yes
Type of short-circuit protection		pulsed
Overload protection		yes

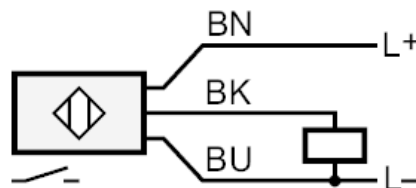
IF6014



Inductive sensor

IFB35,5-BPKG/2M/PVC/OLED

Detection zone	
Sensing range [mm]	5.5
Real sensing range Sr [mm]	5.5 ± 10 %
Operating distance [mm]	0...4.45
Accuracy / deviations	
Correction factor	steel: 1 / stainless steel: 0.7 / brass: 0.5 / aluminium: 0.4 / copper: 0.3
Hysteresis [% of Sr]	1...15
Switch point drift [% of Sr]	-10...10
Operating conditions	
Ambient temperature [°C]	10...50
Protection	IP 67
Tests / approvals	
EMC	EN 60947-5-2 EN 55011 class B
MTTF [years]	2531
Mechanical data	
Weight [g]	57.1
Housing	threaded type
Mounting	non-flush mountable
Dimensions [mm]	M12 x 1
Thread designation	M12 x 1
Materials	brass white bronze coated; PBT
Accessories	
Items supplied	lock nuts: 2
Remarks	
Pack quantity	1 pcs.
Electrical connection	
Cable: 2 m, PVC; 3 x 0.14 mm ²	
Connection	



Core colours	
BN	brown
BK	black
BU	blue