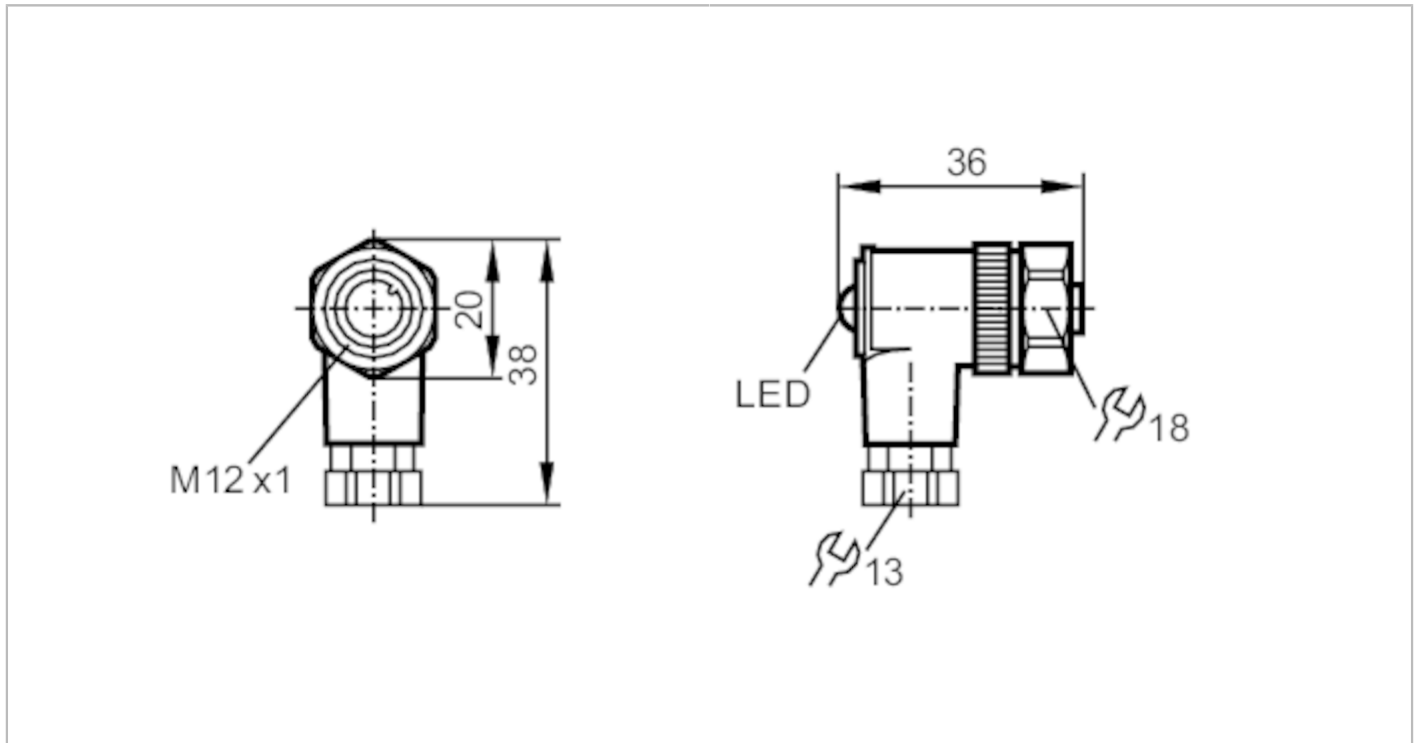


E11863



Wirable socket

SDOAH042VASFKPG



Application		
Special feature	Free from silicone; Gold-plated contacts	
Free from silicone	yes	
Electrical data		
Operating voltage	[V]	10...30 DC
Max. current load total	[A]	4; (...40 °C)
Outputs		
Electrical design	PNP	
Operating conditions		
Ambient temperature	[°C]	-25...85
Protection	IP 67; IP 69K	
Mechanical data		
Weight	[g]	26.4
Dimensions	[mm]	38 x 20 x 36
Materials	PBT; PA transparent	
Moulded-body material	PBT / PA, transparent	
Material nut	stainless steel	
Displays / operating elements		
Display	switching status	1 x LED, yellow
	operation	1 x LED, green
Remarks		
Pack quantity	1 pcs.	

E11863



Wirable socket

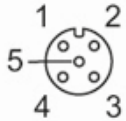
SDOAH042VASFKPG

Electrical connection

screw terminals: ...0.75 mm²; Cable sheath: Ø 4...6 mm

Electrical connection - socket

Connector: 1 x M12, angled; coding: A; Moulded body: PBT / PA, transparent; Locking: stainless steel; Contacts: gold-plated; Tightening torque: 0.7...0.9 Nm



Connection

