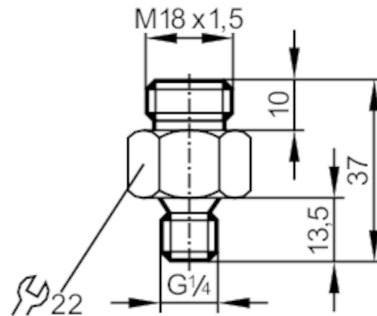


E40176



Screw-in adapter for process sensors

ADAPT /SI/9/IG1/4 /



Application

Application	for industrial applications
Media	liquids and gases
Pressure rating [bar]	30

Tests / approvals

Pressure Equipment Directive EAC	The adapter is intended for use in devices, machines and installations that do not fall under the categories of the technical rule TR CU 032/2013.
----------------------------------	--

Mechanical data

Weight [g]	62.8
Dimensions [mm]	M18 x 1.5
Thread designation	M18 x 1.5
Materials	Hastelloy C-4 (2.4610)
Sensor connection	M18 x 1,5
Process connection	threaded connection G 1/4
Insertion depth [mm]	13.5; (measuring probe SID, SFD, TN)

Accessories

Items supplied	sealings: 1, AFM
----------------	------------------

Remarks

Pack quantity	1 pcs.
---------------	--------