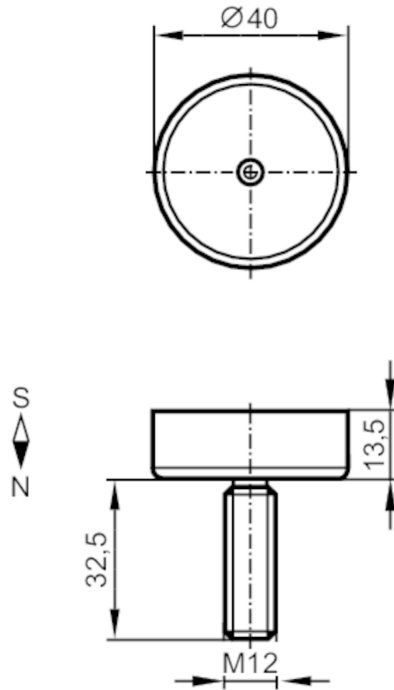


E12350



Damping magnet

MAGNET M4.1/HARD F.STAINLESS



Operating conditions

Ambient temperature [°C] -25...250

Mechanical data

Weight [g] 101

Dimensions [mm] $\varnothing 40 / L = 13$

Materials hard ferrite HF 24/23; stainless steel (1.4571/316Ti)

Magnetic field strength [mT] 80

Remarks

Pack quantity 1 pcs.