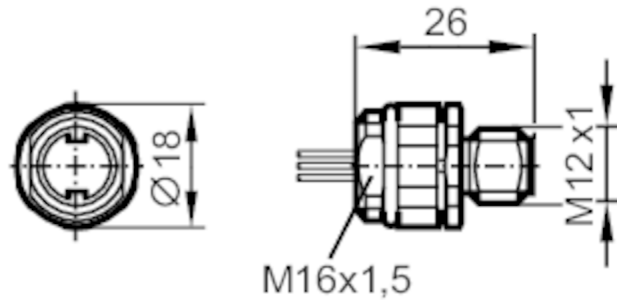


E12253



Adapter plug

ESTGH050MSS00,5E05 (M16)



Electrical data

Operating voltage [V] < 125 AC/DC

Operating conditions

Ambient temperature [°C] -25...85

Protection IP 68

Mechanical data

Weight [g] 23.1

Mounting thread M16

Materials diecast zinc nickel-plated

Moulded-body material diecast zinc, nickel-plated

Remarks

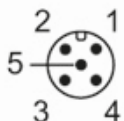
Pack quantity 1 pcs.

Electrical connection

Cable: 0.5 m, PVC; 5 x 0.25 mm²

Electrical connection - plug

Connector: 1 x M12, straight; coding: A; Moulded body: diecast zinc, nickel-plated



E12253



Adapter plug

ESTGH050MSS00,5E05 (M16)

Connection

1	BN
2	WH
3	BU
4	BK
5	GY

Core colours :

BK =	black
BN =	brown
BU =	blue
GY =	grey
WH =	white