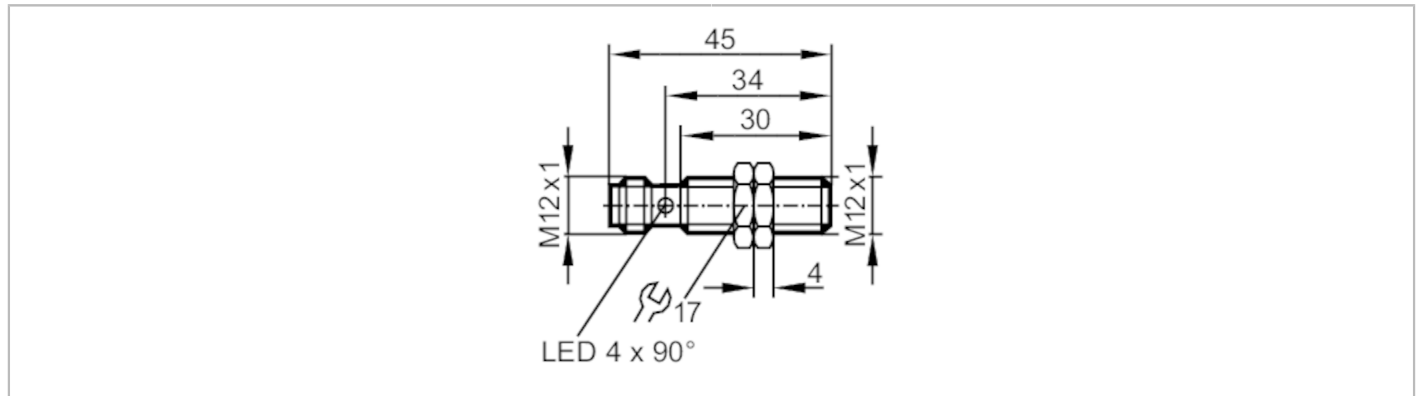


# IF508A



## Inductive full-metal sensor

IFB3004BBPKG/AM/US-104/3G/3D



Product characteristics	
Electrical design	PNP
Output function	normally open
Sensing range [mm]	4
Housing	threaded type
Dimensions [mm]	M12 x 1 / L = 45
Application	
Special feature	Gold-plated contacts; Increased sensing range; Full-metal housing
Pressure rating [bar]	100
Note on pressure rating	sensing face
Electrical data	
Operating voltage [V]	10...30 DC
Current consumption [mA]	< 10
Protection class	III
Reverse polarity protection	yes
Outputs	
Electrical design	PNP
Output function	normally open
Max. voltage drop switching output DC [V]	2.5
Permanent current rating of switching output DC [mA]	100
Switching frequency DC [Hz]	100
Short-circuit protection	yes
Overload protection	yes
Detection zone	
Sensing range [mm]	4
Real sensing range Sr [mm]	4 ± 10 %
Operating distance [mm]	0...3.24
Increased sensing range	yes
Accuracy / deviations	
Correction factor	steel: 1 / stainless steel: 0.7 / brass: 0.6 / aluminium: 0.5 / copper: 0.2

# IF508A



## Inductive full-metal sensor



IFB3004BBPKG/AM/US-104/3G/3D

Hysteresis	[% of Sr]	1...15
------------	-----------	--------

### Operating conditions

Ambient temperature	[°C]	-25...60
Note on ambient temperature		when used outside the hazardous area: -40...85°C
Protection		IP 67; (when used outside the hazardous area: IP 65, IP 66, IP 67, IP 68, IP 69K)

### Tests / approvals

ATEX marking		 Ex II 3D Ex tc IIIC T85° C Dc X
		 Ex II 3G Ex nA IIC T6 Gc X
EMC	EN 61000-4-2 ESD	4 kV CD / 8 kV AD
	EN 61000-4-3 HF radiated	10 V/m
	EN 61000-4-4 Burst	2 kV
	EN 61000-4-6 HF conducted	10 V
	EN 55011 emission	class B

### Mechanical data

Weight	[g]	43.6
Housing		threaded type
Mounting		flush mountable
Dimensions	[mm]	M12 x 1 / L = 45
Thread designation		M12 x 1
Materials		stainless steel (1.4404 / 316L); sensing face: stainless steel (1.4404 / 316L); LED window: PEI; lock nuts: stainless steel (1.4404 / 316L)
Tightening torque	[Nm]	25
Full-metal housing		yes

### Displays / operating elements

Display	switching status	4 x LED, yellow
---------	------------------	-----------------

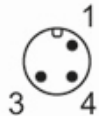
### Accessories

Items supplied		lock nuts: 2
----------------	--	--------------

### Remarks

Pack quantity		1 pcs.
---------------	--	--------

### Electrical connection



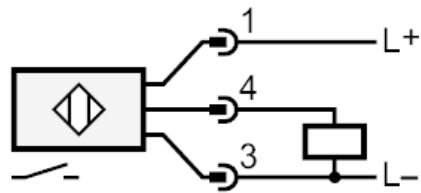
# IF508A



## Inductive full-metal sensor

IFB3004BBPKG/AM/US-104/3G/3D

### Connection



### Electrical connection - plug

Connector: 1 x M12; Contacts: gold-plated