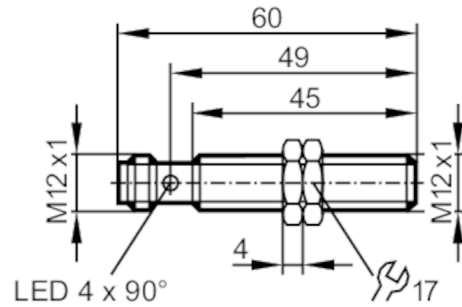


IF5925



Inductive sensor

IFK3002-BPKG/US-104



Product characteristics

Electrical design		PNP
Output function		normally open
Sensing range	[mm]	2
Housing		threaded type
Dimensions	[mm]	M12 x 1 / L = 60

Application

Special feature		Gold-plated contacts
-----------------	--	----------------------

Electrical data

Operating voltage	[V]	10...30 DC
Current consumption	[mA]	< 10
Protection class		II
Reverse polarity protection		yes

Outputs

Electrical design		PNP
Output function		normally open
Max. voltage drop switching output DC	[V]	2.5
Permanent current rating of switching output DC	[mA]	200
Switching frequency DC	[Hz]	1000
Short-circuit protection		yes
Overload protection		yes

Detection zone

Sensing range	[mm]	2
Real sensing range S_r	[mm]	$2 \pm 10\%$
Operating distance	[mm]	0...1.62

Accuracy / deviations

Correction factor		steel: 1 / stainless steel: 0.7 / brass: 0.5 / aluminium: 0.4 / copper: 0.3
Hysteresis	[% of S_r]	3...15
Switch point drift	[% of S_r]	-10...10

IF5925



Inductive sensor

IFK3002-BPKG/US-104

Operating conditions

Ambient temperature	[°C]	-25...80
Protection		IP 67

Tests / approvals

EMC	EN 60947-5-2	
	EN 55011	class B
MTTF	[years]	1528
Embedded software included		yes
UL approval	Ta	0...40 °C
	Enclosure type	Type 1
	power supply	Hazardous voltage
	File number UL	E174191

Mechanical data

Weight	[g]	28.1
Housing		threaded type
Mounting		flush mountable
Dimensions	[mm]	M12 x 1 / L = 60
Thread designation		M12 x 1
Materials		brass white bronze coated; sensing face: PBT orange; LED window: PEI; lock nuts: brass white bronze coated

Displays / operating elements

Display	switching status	4 x LED, yellow
---------	------------------	-----------------

Accessories

Items supplied		lock nuts: 2
----------------	--	--------------

Remarks

Pack quantity		1 pcs.
---------------	--	--------

Electrical connection - plug

Connector: 1 x M12; coding: A; Contacts: gold-plated



IF5925

Inductive sensor

IFK3002-BPKG/US-104



Connection

