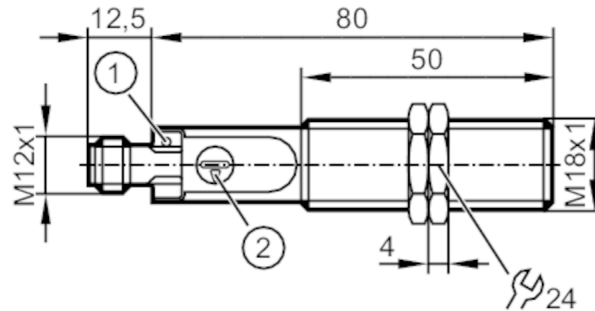


KG5310



Capacitive sensor

KG-3080QAPKG/SL/1P/US/IO



- 1 LED yellow switching status
- 2 potentiometer Sensing range



Product characteristics

| | |
|-------------------------|--------------------|
| Electrical design | PNP |
| Output function | normally closed |
| Sensing range [mm] | 0.5...9 |
| Communication interface | IO-Link |
| Housing | threaded type |
| Dimensions [mm] | M18 x 1 / L = 92.5 |

Application

| | |
|-------------------------|-----------|
| Medium temperature [°C] | -25...110 |
|-------------------------|-----------|

Electrical data

| | |
|-----------------------------|------------|
| Operating voltage [V] | 10...30 DC |
| Current consumption [mA] | < 22 |
| Protection class | III |
| Reverse polarity protection | yes |

Outputs

| | |
|--|-----------------|
| Electrical design | PNP |
| Output function | normally closed |
| Max. voltage drop switching output DC [V] | 2.5 |
| Permanent current rating of switching output DC [mA] | 200 |
| Switching frequency DC [Hz] | 30 |
| Short-circuit proof | yes |
| Overload protection | yes |

Detection zone

| | |
|------------------------------------|----------|
| Sensing range [mm] | 0.5...9 |
| Sensing range adjustable | yes |
| Factory setting sensing range [mm] | 8 |
| Real sensing range Sr [mm] | 8 ± 10 % |

Accuracy / deviations

| | |
|----------------------|--------|
| Hysteresis [% of Sr] | 1...15 |
|----------------------|--------|

KG5310



Capacitive sensor

KG-3080QAPKG/SL/1P/US/IO

| | | |
|--------------------------------------|------------------|---|
| Switch point drift | [% of Sr] | -15...15 |
| Interfaces | | |
| Communication interface | | IO-Link |
| Transmission type | | COM2 (38,4 kBaud) |
| IO-Link revision | | 1.1 |
| SDCI standard | | IEC 61131-9 |
| Profiles | | Smart Sensor: Process Data Variable; Device Identification |
| SIO mode | | yes |
| Required master port type | | A |
| Min. process cycle time | [ms] | 20 |
| IO-Link functions (acyclical) | | application specific tag; operating hours counter; normally open / normally closed (configurable); PNP / NPN (parametrierbar); switch point setting; Hysteresis |
| Operating conditions | | |
| Ambient temperature | [°C] | -25...80 |
| Protection | | IP 65; IP 67; IP 69K |
| Tests / approvals | | |
| EMC | EN 61000-4-2 | 8 kV AD / 4 kV CD |
| | EN 61000-4-3 | 10 V/m |
| | EN 61000-4-4 | 2 kV |
| | EN 61000-4-6 | 10 V |
| | EN 55011 | class B |
| Vibration resistance | DIN EN 60947-5-2 | 1 mm amplitude, oscillation period 5 min., 30 min. per axis at resonance or 55 Hz |
| Shock resistance | DIN EN 60947-5-2 | 30 g 6 shocks / 11 ms half-sine (x, y, z) |
| MTTF | [years] | 1204 |
| UL approval | Ta | -25...60 °C |
| | Enclosure type | Type 1 |
| | power supply | Limited Voltage/Current |
| | UL Approval no. | D003 |
| | File number UL | E174191 |
| Mechanical data | | |
| Weight | [g] | 26.4 |
| Housing | | threaded type |
| Mounting | | quasi flush |
| Dimensions | [mm] | M18 x 1 / L = 92.5 |
| Thread designation | | M18 x 1 |
| Materials | | PBT; PC; POM |
| Tightening torque | [Nm] | 8 |
| Displays / operating elements | | |
| Display | switching status | 1 x LED, yellow |
| Accessories | | |
| Items supplied | | lock nuts: 2 |
| Remarks | | |
| Pack quantity | | 1 pcs. |

KG5310



Capacitive sensor

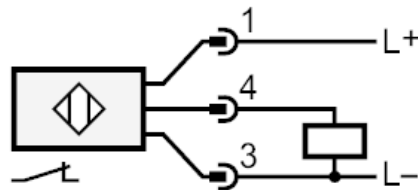
KG-3080QAPKG/SL/1P/US/IO

Electrical connection - plug

Connector: 1 x M12; coding: A



Connection



4: OUT / IO-Link