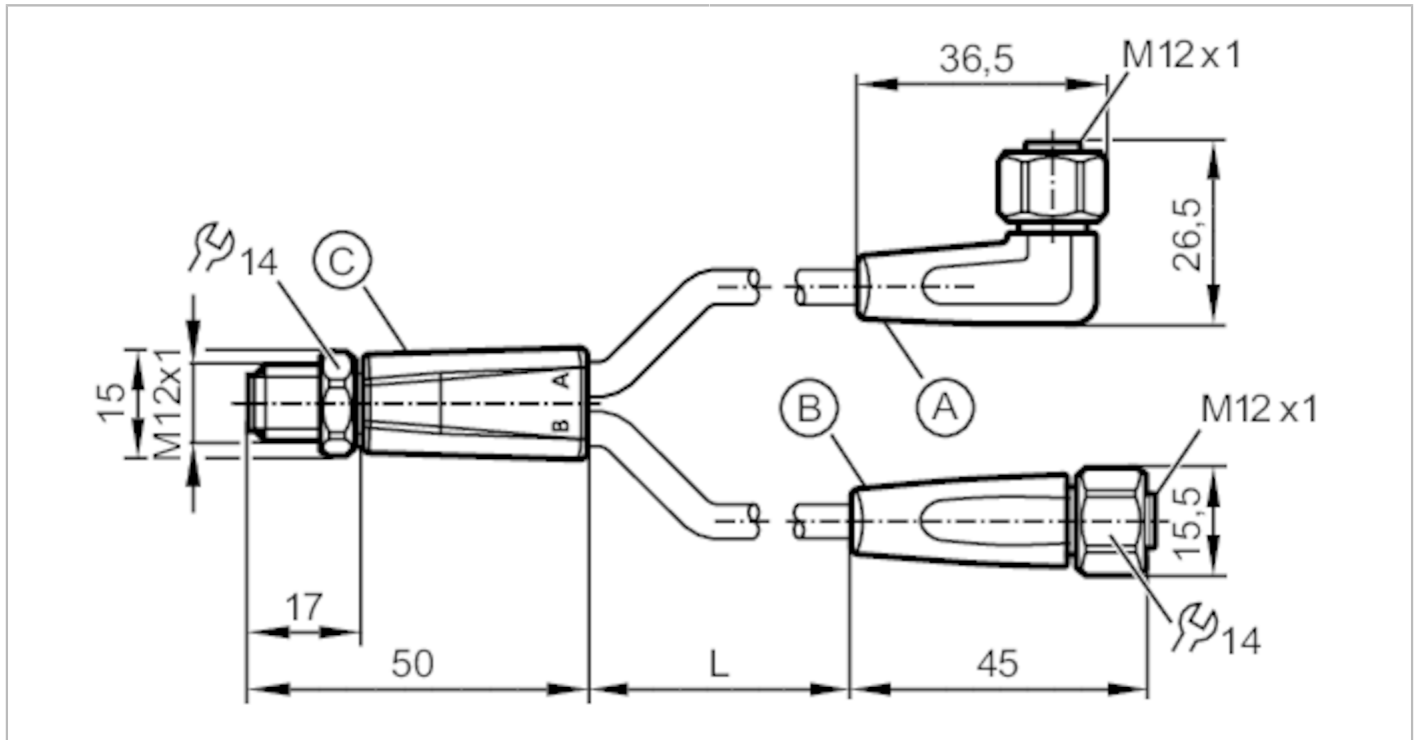


EVT606



Y connection cable

YDOCH030VASXXXXE03STGH040VAS



Application	
Special feature	Free from silicone; Gold-plated contacts; Drag chain suitability
Application	hygienic and wet areas in the food industry
Free from silicone	yes
Electrical data	
Operating voltage [V]	< 250 AC / < 300 DC
Protection class	II
Operating conditions	
Ambient temperature [°C]	-25...100
Ambient temperature (moving) [°C]	5...100
Storage temperature [°C]	-25...55
Storage humidity [%]	10...100
Other climatic conditions for storage according to stated class	1K22/ DIN 60721-3-1
Protection	IP 65; IP 67; IP 68; IP 69K
Mechanical data	
Weight [g]	131.7
Moulded-body material	PVC
Material nut	stainless steel (1.4404 / 316L)
Sealing material	EPDM
Number of ports splitter box	2
Drag chain suitability	yes

EVT606



Y connection cable

YDOCH030VASXXXE03STGH040VAS

Drag chain suitability	bending radius for flexible use	min. 10 x cable diameter
	travel speed	max. 3.3 m/s for a horizontal travel length of 5 m and max. acceleration of 5 m/s ²
	bending cycles	> 1 Mio.
	torsional strain	± 180 °/m

Remarks

Pack quantity	1 pcs.
---------------	--------

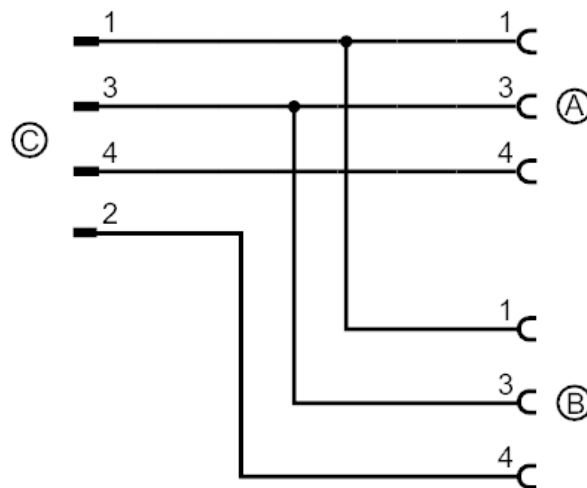
Electrical connection - plug C

Connector: 1 x M12, straight; coding: A; Moulded body: PVC, orange; Locking: stainless steel (1.4404 / 316L); Contacts: gold-plated; Tightening torque: 0.6...1.5 Nm



Electrical connection

Connection



EVT606



Y connection cable

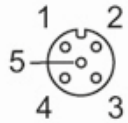
YDOCH030VASXXXE03STGH040VAS

Electrical connection - socket A

Cable: 2.0 m, PVC, orange, \varnothing 4.9 mm; 3 x 0.34 mm² (42 x \varnothing 0.1 mm)

Connector: 1 x M12, angled; coding: A; Moulded body: PVC, orange; Locking: stainless steel (1.4404 / 316L); Sealing: EPDM;

Contacts: gold-plated; Tightening torque: 0.6...1.5 Nm



Electrical connection - socket B

Cable: 0.5 m, PVC, orange, \varnothing 4.9 mm; 3 x 0.34 mm² (42 x \varnothing 0.1 mm)

Connector: 1 x M12, straight; coding: A; Moulded body: PVC, orange; Locking: stainless steel (1.4404 / 316L); Sealing: EPDM;

Contacts: gold-plated; Tightening torque: 0.6...1.5 Nm

