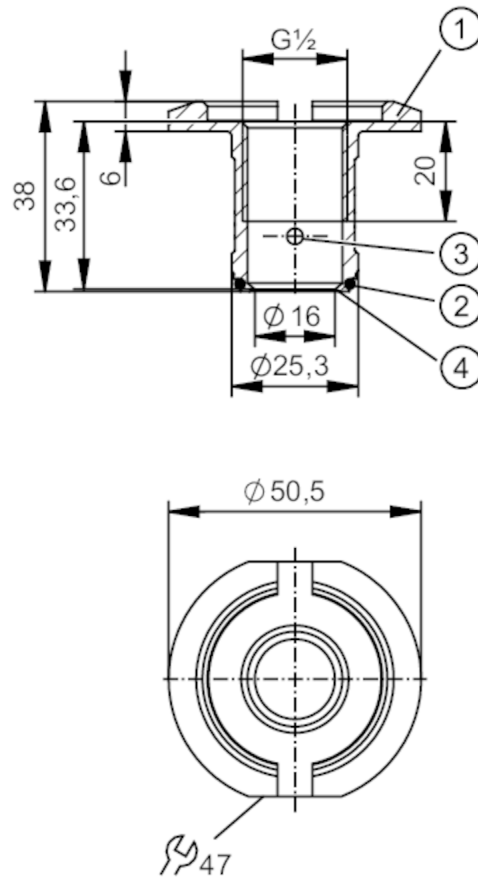


E33405



Process adapter Tri-Clamp

ADAPT G1/2 - 3A/DN38



- 1 Adapter
- 2 Gasket
- 3 Leakage port
- 4 sealing edge



Application

Pressure rating [bar] 25

Tests / approvals

Pressure Equipment Directive	A possible classification to PED depends on the application and has to be carried out by the user / operator.
Pressure Equipment Directive EAC	The adapter is intended for use in devices, machines and installations that do not fall under the categories of the technical rule TR CU 032/2013.
Safety instructions	The compatibility between medium and product material has to be checked in all applications.

Mechanical data

Weight [g]	142.5
Materials	stainless steel (1.4404 / 316L)
Sensor connection	G 1/2 sealing cone
Process connection	Clamp DN38 (1,5")
Surface characteristics Ra/Rz of the wetted parts	< 0.8 / 8
Sealing	metal to PEEK

E33405



Process adapter Tri-Clamp

ADAPT G1/2 - 3A/DN38

Hygienic equipment class to
DIN 11866

H3

Accessories

Items supplied

O-ring: 1, EPDM

Remarks

Pack quantity

1 pcs.