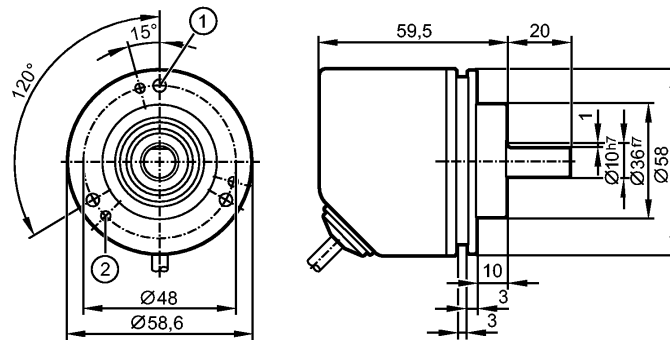


## RV3500

INCREMENTAL ENCODER BASIC LINE

Encoders



- 1: M4 x 0.7 6 mm deep
- 2: M3 x 0.5 6 mm deep

CE IO-Link

### Product characteristics

Solid shaft encoder

HTL, TTL 50 mA

Cable

Clamping flange

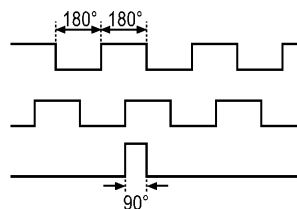
Magnetic detection system

Resolution 1...9999

### Electrical data

Operating voltage [V]	4.5...30 DC
Current consumption [mA]	< 150
Max. permissible rpm / elec. [1/min]	12000
Phase difference A und B [°]	90
Switching frequency [kHz]	1000
Reverse polarity protection	yes
Short-circuit protection	yes
Protection class	III

Pulse diagram



Direction of rotation clockwise (looking at the shaft)

### Outputs

Output function HTL, TTL 50 mA

### Measuring / setting range

Encoders

Resolution programmable, factory setting 1024

### Accuracy / deviations

Accuracy < 0.1°

### Reaction times

## RV3500

INCREMENTAL ENCODER BASIC LINE

Encoders

Power-on delay time	[s]	0.5
---------------------	-----	-----

### Software / programming

Programming options	Resolution, rotational direction, HTL, TTL	
---------------------	--	--

### Interfaces

IO-Link Device		
Transfer type	COM 2	
IO-Link revision	V1.1	
SIO mode	yes	
Min. process cycle time	[ms]	2.3

### Mechanical data

Max. permissible rpm / mech. [1/min]	12000	
Starting torque	[Ncm]	< 1 (20 °C)
Max. shaft load (at the shaft end) [N]	axial 40; radial 60	
Shaft, material	[mm]	Ø 10, stainless steel
Vibration resistance	30 g	
Shock resistance	200 g	
Housing materials	flange: aluminium; housing: stainless steel 444/1.4521; cable plug: polyamide	
Weight	[kg]	0.436

### Environment

Max. relative air humidity	[%]	95, Condensation not permissible
Ambient temperature	[°C]	-40...80, -25 °C for flexibly laid cable
Storage temperature	[°C]	-40...80
Protection	IP 65 / IP 66; IP 67 (housing); IP 64 (shaft)	

### Tests / approvals

MTTF	[Years]	292.2
------	---------	-------

### Electrical connection

Connection	PUR cable, screened / 2 m; 5 x 0.14 mm <sup>2</sup> ; Ø 4.9 mm; radial, can also be used axially	
Max. cable length	[m]	100

### Wiring

Core colours	
BK	black
BN	brown
BU	blue
GY	grey
WH	white

IO-Link:	
BN:	L+
WH:	not to be used
BU:	L-
GY:	not to be used
BK:	IO-Link
screen:	Housing
encoder:	
BN:	UB
WH:	A
BU:	GND
GY:	B
BK:	Z/0-Pulse (90 deg)
screen:	Housing

### Remarks

Pack quantity	[piece]	1
---------------	---------	---