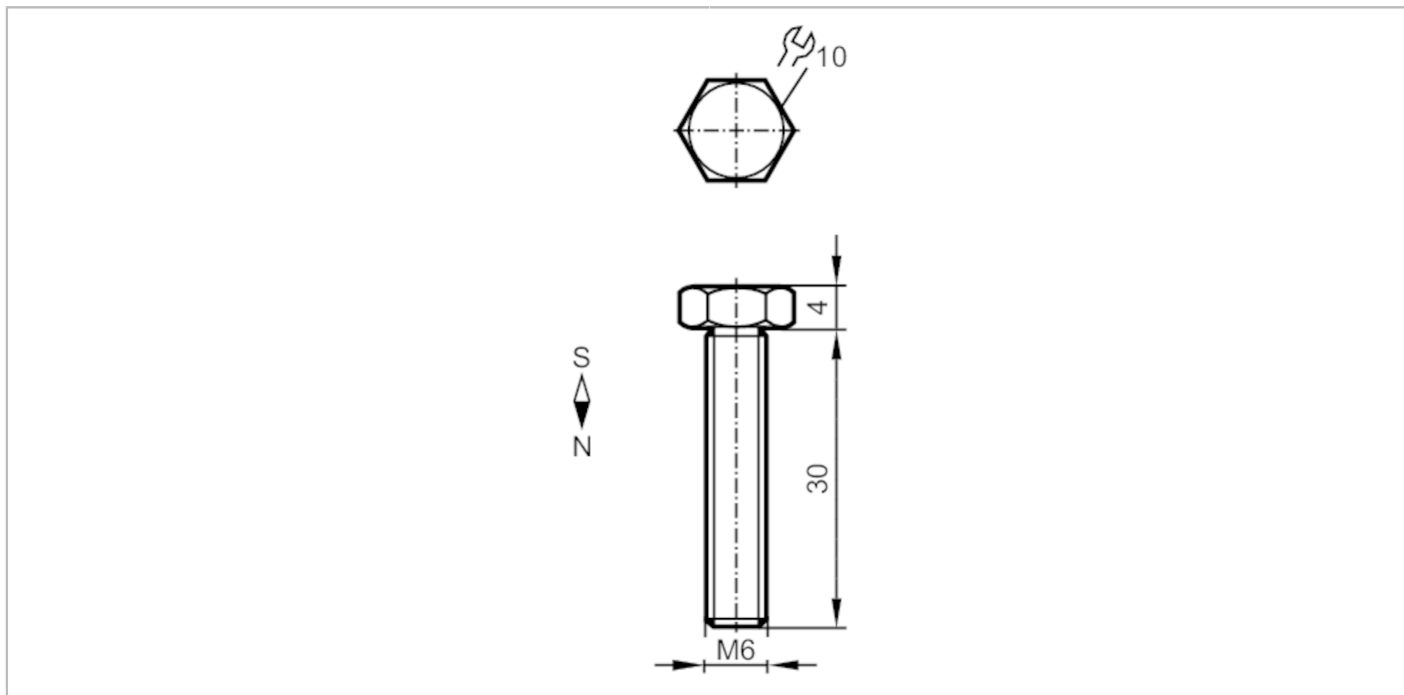


E12716



Damping magnet

MAGNET M7.0 IATA E12540 5X



Operating conditions

Ambient temperature	[°C]	-40...80
---------------------	------	----------

Mechanical data

Weight	[g]	88
Dimensions	[mm]	M6 / L = 33.5
Thread designation		M6
Materials		neodymium galvanised
Magnetic field strength	[mT]	220

Remarks

Pack quantity	5 pcs.
---------------	--------