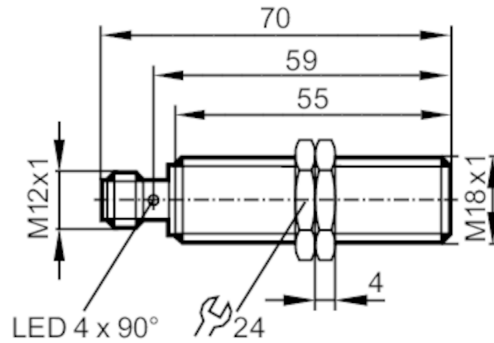




## Inductive sensor

IGK3008BBPKG/US-104



### Product characteristics

Electrical design	PNP
Output function	normally open
Sensing range [mm]	8
Housing	threaded type
Dimensions [mm]	M18 x 1 / L = 70

### Application

Special feature	Gold-plated contacts
-----------------	----------------------

### Electrical data

Operating voltage [V]	10...30 DC
Current consumption [mA]	< 10
Protection class	II
Reverse polarity protection	yes

### Outputs

Electrical design	PNP
Output function	normally open
Max. voltage drop switching output DC [V]	2.5
Permanent current rating of switching output DC [mA]	200
Switching frequency DC [Hz]	250
Short-circuit protection	yes
Overload protection	yes

### Detection zone

Sensing range [mm]	8
Real sensing range $S_r$ [mm]	$8 \pm 10\%$
Operating distance [mm]	0...6.48

### Accuracy / deviations

Correction factor	steel: 1 / stainless steel: 0.7 / brass: 0.5 / aluminium: 0.4 / copper: 0.3
Hysteresis [% of $S_r$ ]	3...15
Switch point drift [% of $S_r$ ]	-10...10

# IG5929



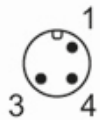
## Inductive sensor

IGK3008BBPKG/US-104

Operating conditions		
Ambient temperature	[°C]	-25...70
Protection		IP 67
Tests / approvals		
MTTF	[years]	1884
Embedded software included		yes
Mechanical data		
Weight	[g]	56.2
Housing		threaded type
Mounting		flush mountable
Dimensions	[mm]	M18 x 1 / L = 70
Thread designation		M18 x 1
Materials		housing: brass white bronze coated; sensing face: PBT orange; LED window: PEI; lock nuts: white bronze coated
Displays / operating elements		
Display	switching status	4 x LED, yellow
Accessories		
Items supplied		lock nuts: 2
Remarks		
Pack quantity		1 pcs.

### Electrical connection - plug

Connector: 1 x M12; coding: A; Contacts: gold-plated



### Connection

