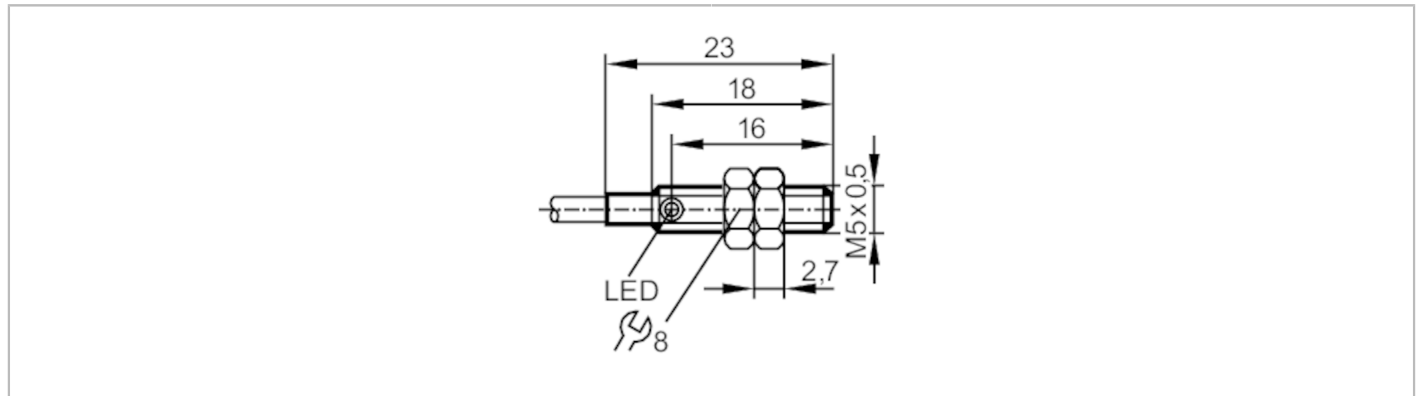


# IY5051



## Inductive sensor

IYB30,8-BPKG/V2A/ZS



Product characteristics	
Electrical design	PNP
Output function	normally open
Sensing range [mm]	0.8
Housing	threaded type
Dimensions [mm]	M5 x 0.5 / L = 23

Electrical data	
Operating voltage [V]	10...30 DC
Current consumption [mA]	15; (24 V)
Protection class	III
Reverse polarity protection	yes

Outputs	
Electrical design	PNP
Output function	normally open
Max. voltage drop switching output DC [V]	2.5
Permanent current rating of switching output DC [mA]	100
Switching frequency DC [Hz]	2000
Short-circuit protection	yes
Type of short-circuit protection	pulsed
Overload protection	yes

Detection zone	
Sensing range [mm]	0.8
Real sensing range Sr [mm]	0.8 ± 10 %
Operating distance [mm]	0...0.65

Accuracy / deviations	
Correction factor	steel: 1 / stainless steel: 0.7 / brass: 0.5 / aluminium: 0.4 / copper: 0.3
Hysteresis [% of Sr]	1...15
Switch point drift [% of Sr]	-10...10

# IY5051



## Inductive sensor

IYB30,8-BPKG/V2A/ZS

Operating conditions		
Ambient temperature	[°C]	-25...70
Protection		IP 65
Tests / approvals		
EMC	EN 61000-4-2 ESD	4 kV CD / 8 kV AD
	EN 61000-4-3 HF radiated	3 V/m
	EN 61000-4-4 Burst	2 kV
	EN 61000-4-6 HF conducted	3 V
	EN 55011	class B
MTTF	[years]	2060
Mechanical data		
Weight	[g]	35.1
Housing		threaded type
Mounting		flush mountable
Dimensions	[mm]	M5 x 0.5 / L = 23
Thread designation		M5 x 0.5
Materials		stainless steel (1.4305 / 303); sensing face: POM
Tightening torque	[Nm]	2
Displays / operating elements		
Display	switching status	1 x LED, yellow
Accessories		
Items supplied		lock nuts: 2
Remarks		
Pack quantity		1 pcs.
Electrical connection		
Cable: 2 m, PUR; for applications in permanent movement; 3 x 0.14 mm <sup>2</sup>		
Connection		
BN =	Core colours :	brown
BU =		blue
BK =		black