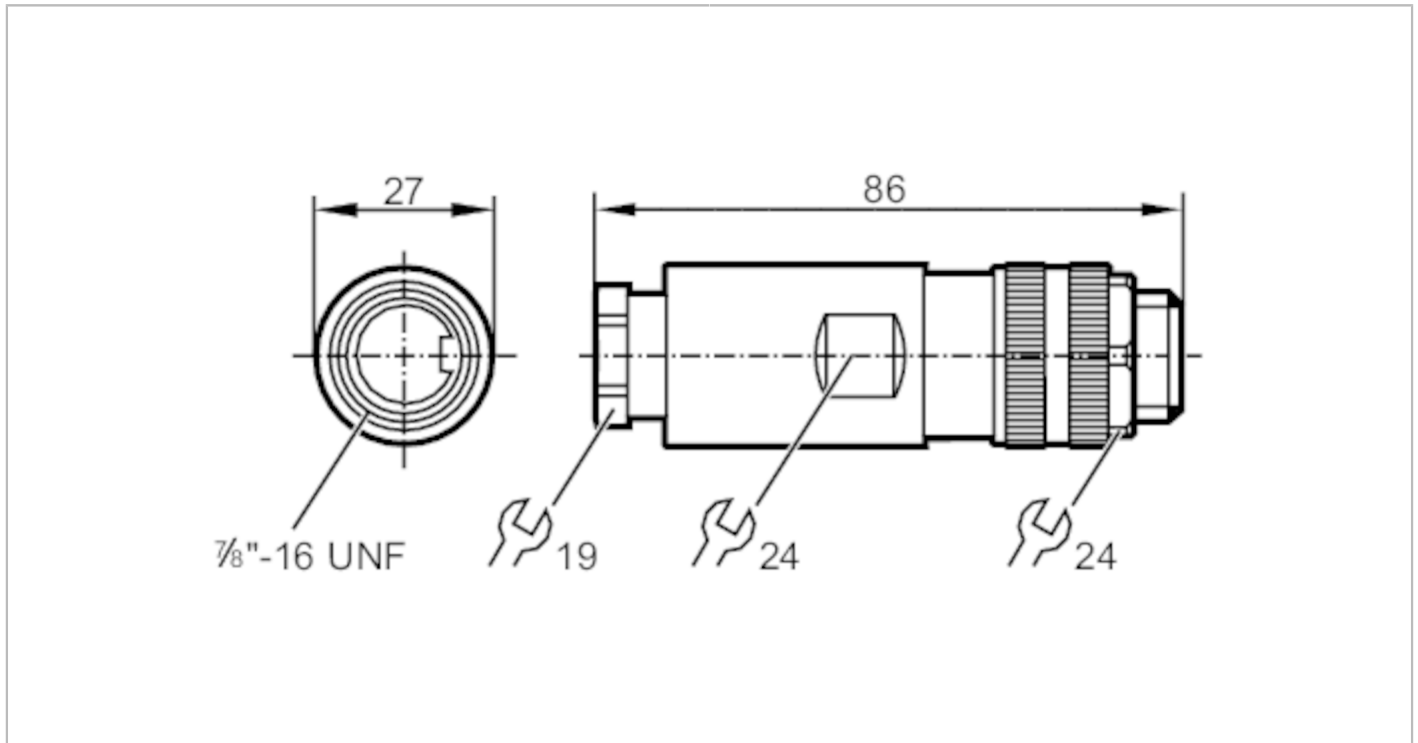


E70176



Wirable plug

SSTGB040ZDSFKPG



Electrical data

Operating voltage	[V]	< 300 AC/DC
Max. current load total	[A]	9

Operating conditions

Ambient temperature	[°C]	-25...85
Protection		IP 67

Mechanical data

Weight	[g]	49.3
Dimensions	[mm]	27 x 27 x 86
Moulded-body material		PBT
Material nut		diecast zinc

Remarks

Remarks		Pin 4 leading
Pack quantity		1 pcs.

Electrical connection

terminals: ...1.5 mm²; Cable sheath: Ø 8...10 mm

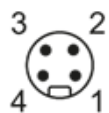
Electrical connection - plug

Connector: 1 x 7/8", straight; Moulded body: PBT; Locking: diecast zinc

E70176

Wirable plug

SSTGB040ZDSFKPG



Connection

