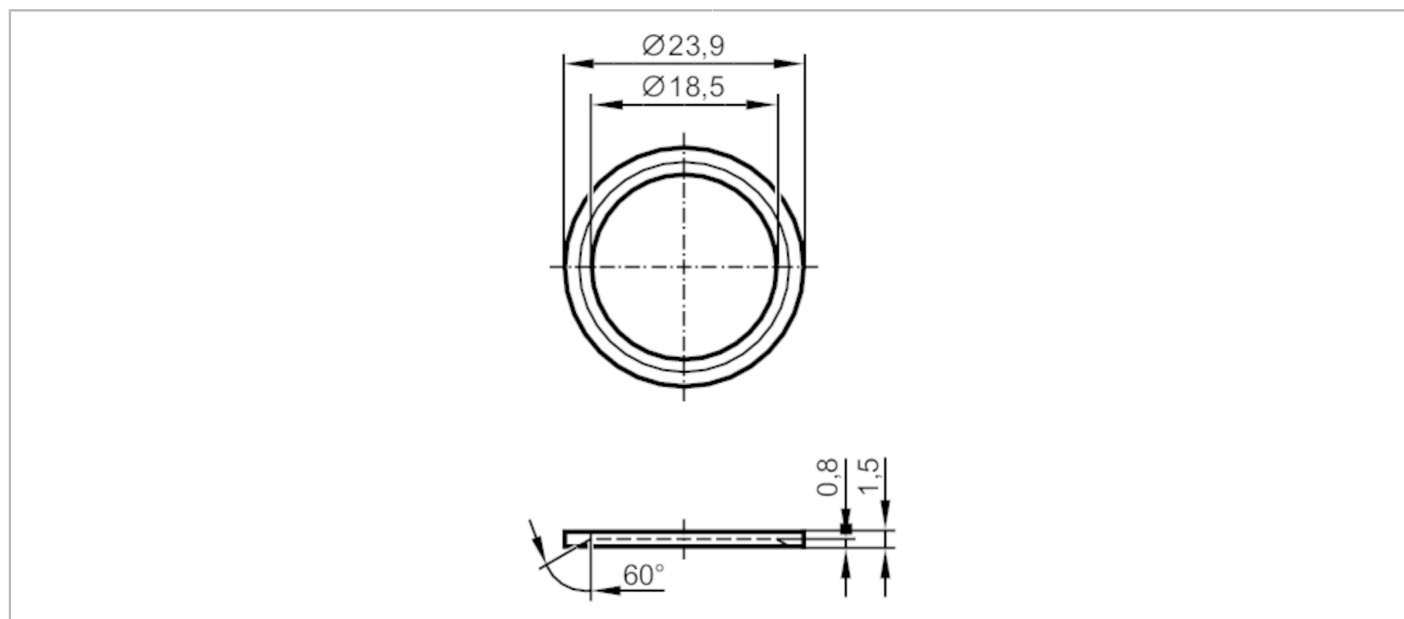


# E30451



## Gasket

SEAL RING EPDM G1/2



Application	
Design	for units with process connection G ½
Operating conditions	
Ambient temperature [°C]	-40...130
Tests / approvals	
Standard	DIN EN ISO 1179-2
Mechanical data	
Weight [g]	4.2
Inside diameter [mm]	18.5
External diameter [mm]	23.9
Materials	EPDM
Remarks	
Pack quantity	10 pcs.