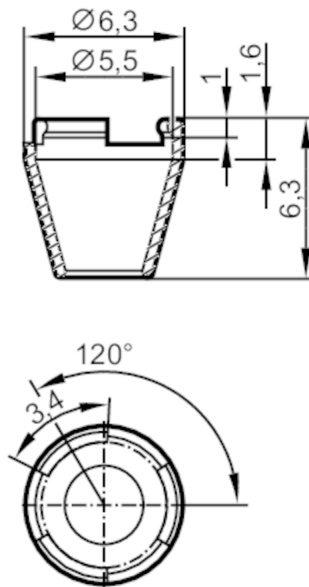


E38831



Gasket

TA G1/8 PEEK-RING



EC 1935/2004

Application

Design

for sealing cone G 1/8

Mechanical data

Weight

[g]

3.6

Materials

sealing ring on process side: PEEK in contact with the medium

Remarks

Pack quantity

1 pcs.