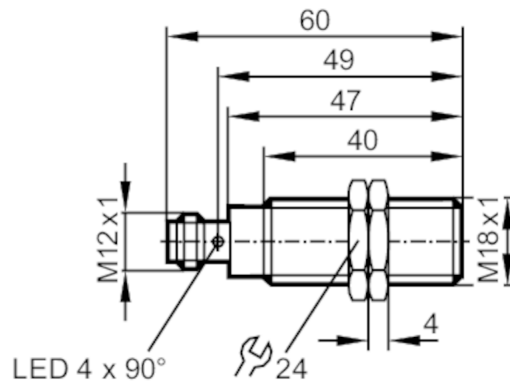


# OGE301



## Through-beam sensor receiver

OGE-HPKG/US100



### Product characteristics

Type of light	red light
Housing	threaded type

### Application

Function principle	Through-beam sensor
--------------------	---------------------

### Electrical data

Operating voltage [V]	10...36 DC
Current consumption [mA]	10
Protection class	II
Reverse polarity protection	yes
Type of light	red light
Wave length [nm]	624

### Outputs

Electrical design	PNP
Output function	light-on mode
Max. voltage drop switching output DC [V]	2.5
Permanent current rating of switching output DC [mA]	150; (200 (...60 °C))
Switching frequency DC [Hz]	1000
Short-circuit protection	yes
Type of short-circuit protection	pulsed
Overload protection	yes

### Detection zone

Transmitter / receiver	receiver
Range [m]	< 20
Range adjustable	no

### Operating conditions

Ambient temperature [°C]	-25...80
--------------------------	----------

# OGE301



## Through-beam sensor receiver

OGE-HPKG/US100

Protection	IP 65; IP 67; IP 68; IP 69K
------------	-----------------------------

### Tests / approvals

EMC	EN 60947-5-2
MTTF [years]	1067

### Mechanical data

Weight [g]	60.1
Housing	threaded type
Dimensions [mm]	M18 x 1 / L = 60
Thread designation	M18 x 1
Materials	housing: stainless steel (1.4404 / 316L); Sealing: EPDM
Lens material	PMMA

### Displays / operating elements

Display	switching status	1 x LED, yellow
---------	------------------	-----------------

### Accessories

Items supplied	lock nuts: 2
----------------	--------------

### Remarks

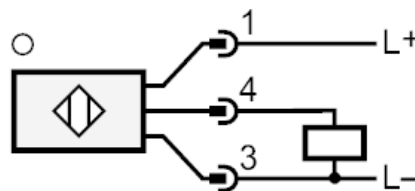
Remarks	operating voltage "supply class 2" according to cULus
Pack quantity	1 pcs.

### Electrical connection

Connector: 1 x M12; coding: A



### Connection





## Through-beam sensor receiver

OGE-HPKG/US100

### Diagrams and graphs

excess gain graph

