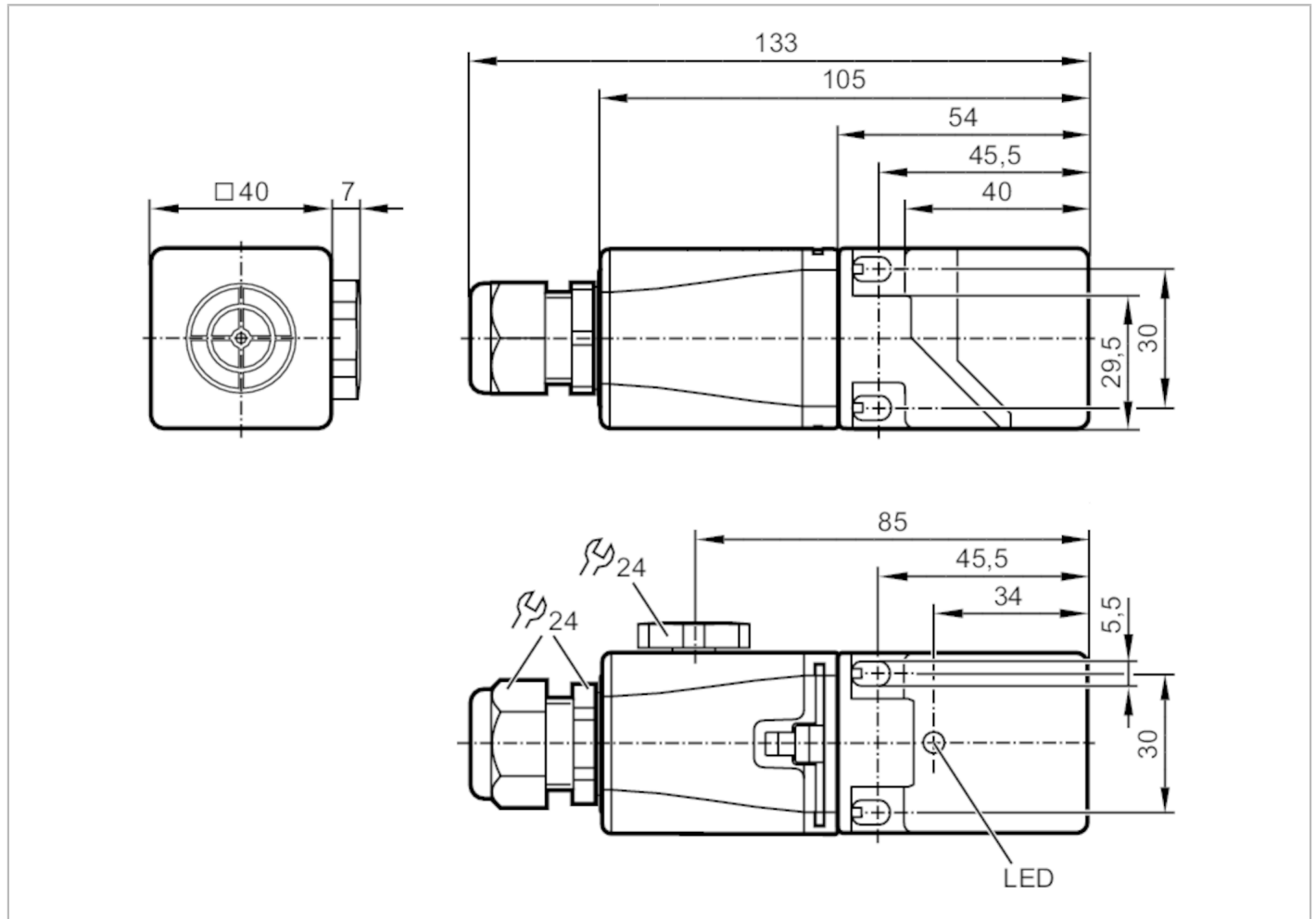


IM508A



Inductive sensor

IME2020BFRKG/3D



Product characteristics	
Output function	normally open / normally closed; (selectable)
Sensing range [mm]	20
Housing	rectangular
Dimensions [mm]	40 x 40 x 105
Electrical data	
Operating voltage [V]	10...55 DC
Protection class	III
Reverse polarity protection	yes
Outputs	
Output function	normally open / normally closed; (selectable)
Max. voltage drop switching output DC [V]	4.6
Minimum load current [mA]	5
Max. leakage current [mA]	1
Permanent current rating of switching output DC [mA]	150
Switching frequency DC [Hz]	100

IM508A



Inductive sensor

IME2020BFRKG/3D

Short-circuit proof	yes
Overload protection	yes

Detection zone	
Sensing range [mm]	20
Real sensing range Sr [mm]	20 ± 10 %
Operating distance [mm]	0...16.2

Accuracy / deviations	
Correction factor	steel: 1 / stainless steel: 0.7 / brass: 0.4 / aluminium: 0.3 / copper: 0.2
Hysteresis [% of Sr]	1...20
Switch point drift [% of Sr]	-10...10

Operating conditions	
Ambient temperature [°C]	-20...60
Protection	IP 65; IP 67

Tests / approvals	
ATEX marking	 II 3D Ex tc IIIC T95°C Dc X
EMC	EN 60947-5-2
MTTF [years]	1608

Mechanical data	
Weight [g]	244
Housing	rectangular
Mounting	flush mountable
Dimensions [mm]	40 x 40 x 105
Materials	PC; PA; stainless steel

Displays / operating elements	
Display	switching status 1 x LED, yellow

Remarks	
Remarks	Recommendation: Check the safe functioning of the unit after a short circuit. 5 positions of the active zone possible
Pack quantity	1 pcs.

IM508A



Inductive sensor

IME2020BFRKG/3D

Electrical connection

terminals: 0.34...1.5 mm²; Cable sheath: Ø 5...9 mm

Connection

