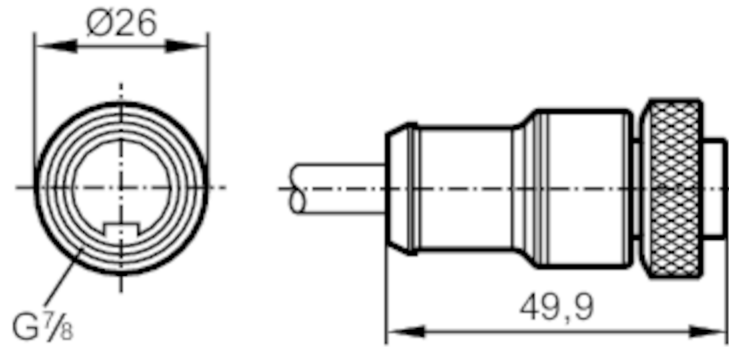


E11076



Connecting cable with socket

AD0GB050MSS0002E05



Electrical data

Operating voltage	[V]	< 300 AC/DC
Max. current load total	[A]	4

Operating conditions

Ambient temperature	[°C]	-30...80
Ambient temperature (moving)	[°C]	-5...80
Protection		IP 68

Mechanical data

Weight	[g]	137.7
Dimensions	[mm]	26 x 26 x 49.9
Moulded-body material		TPU
Material nut		diecast zinc

Remarks

Pack quantity		1 pcs.
---------------	--	--------

Electrical connection

Cable: 2 m, PVC, black; 5 x 0.5 mm² (16 x Ø 0.2 mm)

Electrical connection - socket

Connector: 1 x 7/8", straight; Moulded body: TPU; Locking: diecast zinc

E11076

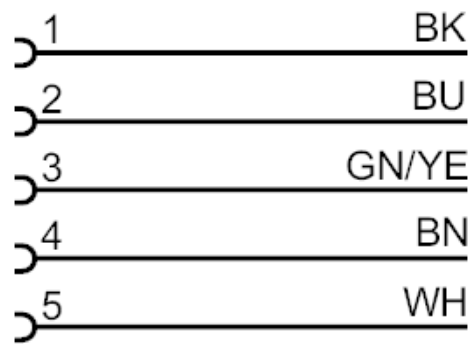


Connecting cable with socket

AD0GB050MSS0002E05



Connection



Core colours :

BK =	black
BN =	brown
BU =	blue
GN/YE =	green/yellow
WH =	white