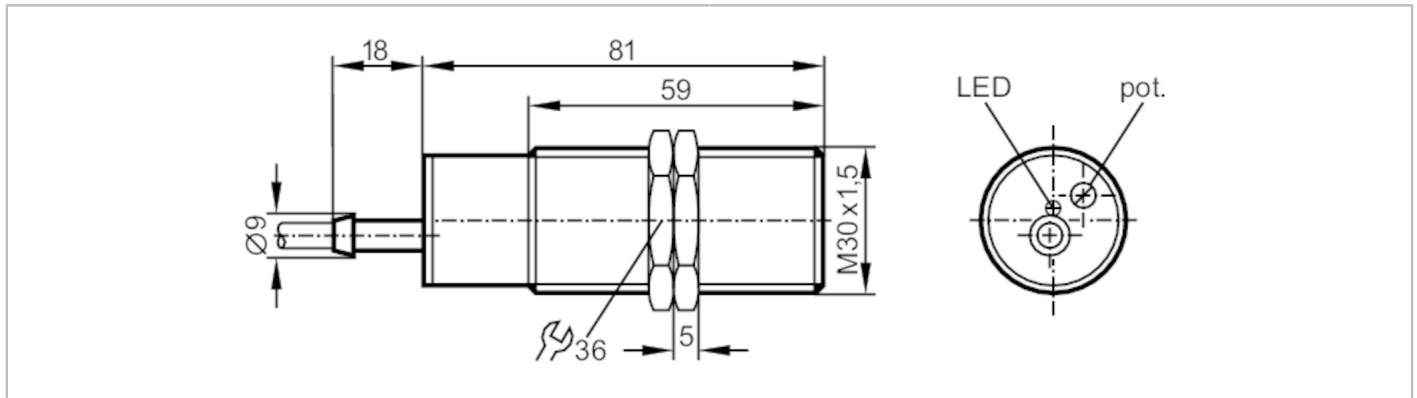


KI5031



Capacitive NAMUR sensor

KI-2015-N/NI/6M/1D/1G



Product characteristics	
Electrical design	NAMUR
Output function	normally closed
Sensing range [mm]	15
Housing	threaded type
Dimensions [mm]	M30 x 1.5 / L = 81
Electrical data	
Connection to switching amplifiers	yes
Switching amplifiers	connection to certified intrinsically safe circuits with the max. values: U = 15 V / I = 50 mA / P = 120 mW
Nominal voltage DC [V]	8.2; (1kΩ)
Supply voltage DC [V]	7.5...15
Current consumption [mA]	< 1; (disabled; conductive: > 2,2)
Protection class	II
Measuring principle	capacitive
Outputs	
Electrical design	NAMUR
Output function	normally closed
Switching frequency DC [Hz]	40
Short-circuit proof	yes
Detection zone	
Sensing range [mm]	15
Sensing range adjustable	yes
Factory setting sensing range [mm]	15
Real sensing range Sr [mm]	15 ± 10 %
Accuracy / deviations	
Correction factor	glass: 0.4 / water: 1 / ceramics: 0.2 / PVC: 0.2
Hysteresis [% of Sr]	1...15
Switch point drift [% of Sr]	-15...15
Operating conditions	
Ambient temperature [°C]	-20...60

KI5031



Capacitive NAMUR sensor

KI-2015-N/NI/6M/1D/1G

Protection	IP 65
------------	-------

Tests / approvals

Approval	DMT 01 ATEX E 020; TIIS TC15627; IECEx BVS 06.0003	
ATEX marking	II 1G Ex ia IIB T6 Ga	
	II 1D Ex ia IIIC T90°C Da	
EMC	EN 60947-5-2	
MTTF [years]	841	

Safety classification

Max. internal capacitance [nF]	375.64
Max. internal inductance [µH]	3

Mechanical data

Weight [g]	378.5
Housing	threaded type
Mounting	non-flush mountable
Dimensions [mm]	M30 x 1.5 / L = 81
Thread designation	M30 x 1.5
Materials	PBT

Displays / operating elements

Display	switching status	1 x LED, yellow
---------	------------------	-----------------

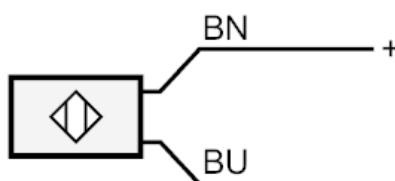
Remarks

Pack quantity	1 pcs.
---------------	--------

Electrical connection

Cable: 6 m, PVC; 2 x 0.5 mm²

Connection



BN = Core colours : brown
BU = blue