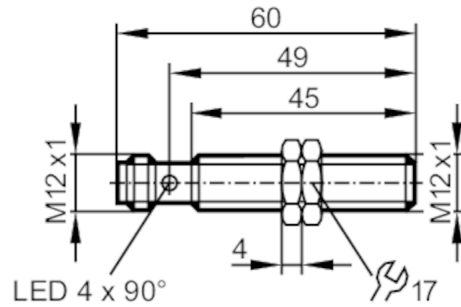


# IFT244



## Inductive full-metal sensor

IFK3003BANKG/AM/US-104



### Product characteristics

Electrical design		NPN
Output function		normally open
Sensing range	[mm]	3
Housing		threaded type
Dimensions	[mm]	M12 x 1 / L = 60

### Application

Special feature		Gold-plated contacts; Increased sensing range; Full-metal housing
Application		constant cleaning with aggressive cleaning agents; regular cleaning processes
Pressure rating	[bar]	100
Note on pressure rating		sensing face

### Electrical data

Operating voltage	[V]	10...30 DC
Current consumption	[mA]	< 20
Protection class		III
Reverse polarity protection		yes

### Outputs

Electrical design		NPN
Output function		normally open
Max. voltage drop switching output DC	[V]	2.5
Permanent current rating of switching output DC	[mA]	100
Switching frequency DC	[Hz]	100
Short-circuit protection		yes
Type of short-circuit protection		pulsed
Overload protection		yes

### Detection zone

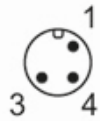
Sensing range	[mm]	3
Operating distance	[mm]	0...2.4
Increased sensing range		yes

# IFT244



## Inductive full-metal sensor

IFK3003BANKG/AM/US-104

Accuracy / deviations		
Correction factor	steel: 1 / stainless steel: 0.6 / brass: 0.7 / aluminium: 0.6 / copper: 0.3	
Hysteresis [% of Sr]	1...20	
Operating conditions		
Ambient temperature [°C]	0...100	
Protection	IP 68; IP 69K	
Tests / approvals		
EMC	EN 61000-4-2 ESD	4 kV CD / 8 kV AD
	EN 61000-4-3 HF radiated	10 V/m
	EN 61000-4-4 Burst	2 kV
	EN 61000-4-6 HF conducted	10 V
	EN 55011 emission	class B
Impact resistance	1 J	
MTTF [years]	1177	
Embedded software included	yes	
UL approval	Ta	-25...70 °C
	Enclosure type	Type 1
	power supply	Limited Voltage/Current
	UL Approval no.	A012
	File number UL	E174191
Mechanical data		
Weight [g]	27.9	
Housing	threaded type	
Mounting	flush mountable	
Dimensions [mm]	M12 x 1 / L = 60	
Thread designation	M12 x 1	
Materials	housing: stainless steel (1.4404 / 316L); sensing face: stainless steel (1.4404 / 316L); LED window: PEI; lock nuts: stainless steel (1.4404 / 316L)	
Tightening torque [Nm]	15	
Full-metal housing	yes	
Displays / operating elements		
Display	switching status	4 x 90° LED, yellow
Accessories		
Items supplied	lock nuts: 2	
Remarks		
Pack quantity	1 pcs.	
Electrical connection		
		

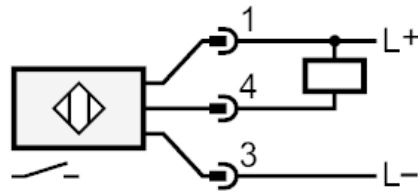
# IFT244



## Inductive full-metal sensor

IFK3003BANKG/AM/US-104

### Connection



### Electrical connection - plug

Connector: 1 x M12; Contacts: gold-plated