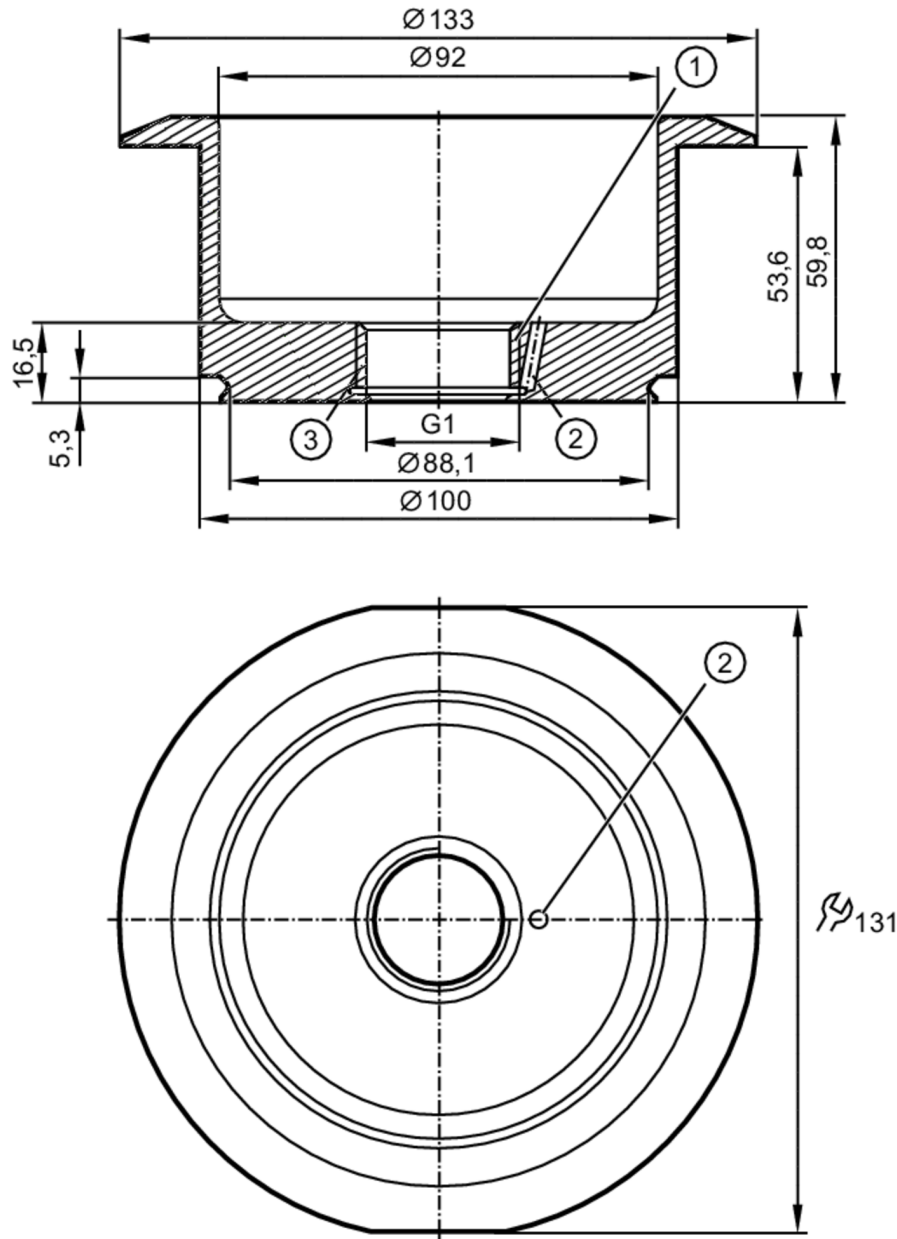


E33434



Mounting adapter for process sensors

ADAPT IFM-TANK SPUD AV



- 1 Aseptoflex Vario
- 2 Leakage port
- 3 sealing area



Application	
Design	accessories for, PY200x, PM17xx, PI27xx, PG27xx, : Rosemount 1199 (SSW) Tank Spud Seal
Pressure rating	[bar] 34
Tests / approvals	
Pressure Equipment Directive	A possible classification to PED depends on the application and has to be carried out by the user / operator.
Pressure Equipment Directive EAC	The adapter is intended for use in devices, machines and installations that do not fall under the categories of the technical rule TR CU 032/2013.

E33434



Mounting adapter for process sensors

ADAPT IFM-TANK SPUD AV

Safety instructions	The compatibility between medium and product material has to be checked in all applications.
Mechanical data	
Weight [g]	1602
Materials (wetted parts)	stainless steel (1.4435 / 316L) ; surface characteristics : Ra<0,4 / Rz 4; O-rings: EPDM
Sensor connection	G 1 Aseptoflex Vario
Process connection	Tank Spud Rosemount 1199 (SSW) Tank Spud Seal
Sealing	Gasket
Hygienic equipment class to DIN 11866	H4
Accessories	
Items supplied	O-ring: 1 x 24 x 2, EPDM, FDA compliant, E30054
Accessories (optional)	O-ring: 24 x 2, FKM, FDA compliant, E30123
	sealing ring:, PEEK, FDA compliant, E30124
Remarks	
Pack quantity	1 pcs.