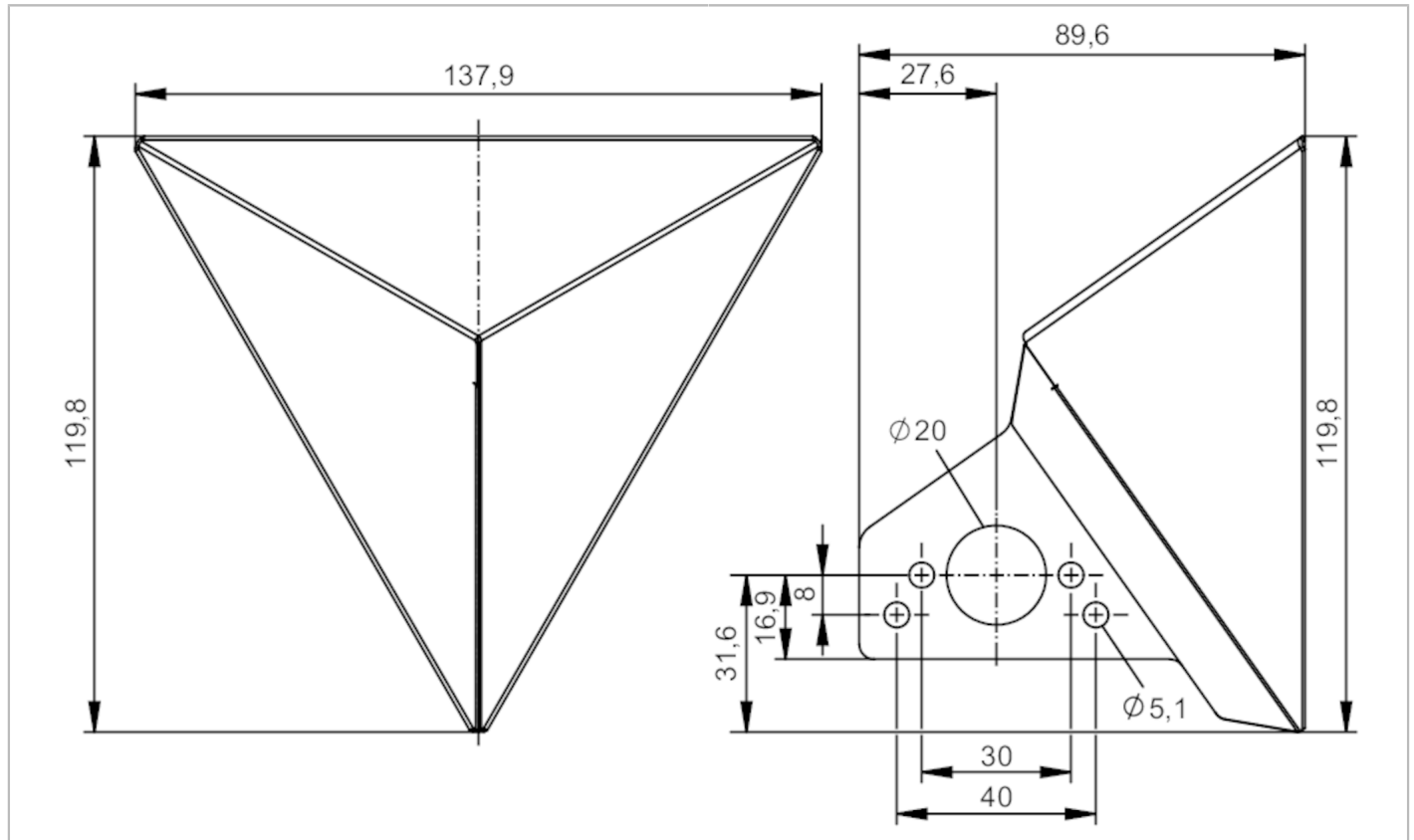


# E23013



## Radar corner reflector

RADAR CORNER REFLECTOR 100



Application	
Design	Winkelreflektor
Mechanical data	
Weight [g]	28619
Dimensions [mm]	89.6 x 119.8 x 137.9
Materials	stainless steel (1.4571/316Ti)
Remarks	
Pack quantity	1 pcs.