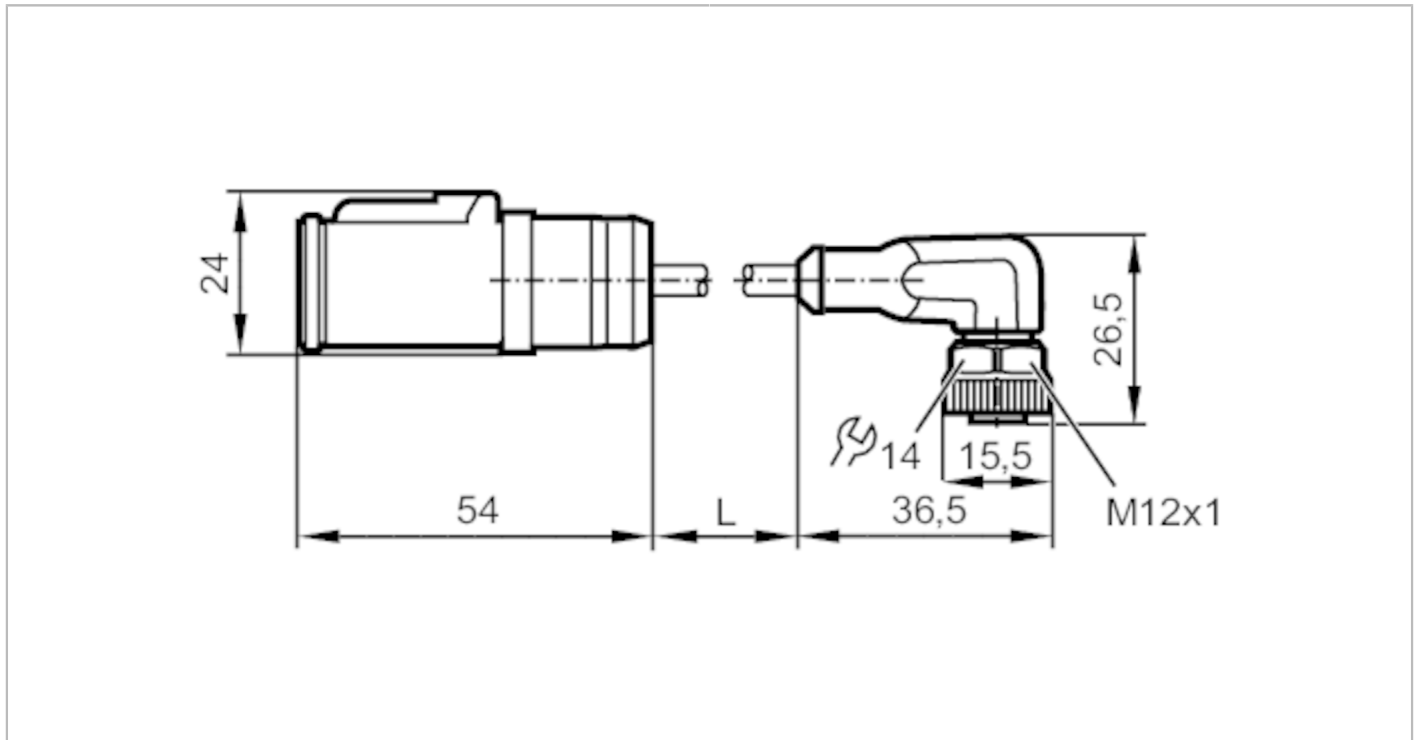


# E12729



## Connection cable

VDOGS040--S0002H04DOAH040MSS



Application		
Special feature	Free from silicone; Halogen-free; Drag chain suitability	
Free from silicone	yes	
Electrical data		
Operating voltage [V]	8...32 DC	
Protection class	III	
Max. current load total [A]	4	
Operating conditions		
Ambient temperature [°C]	-40...80	
Ambient temperature (moving) [°C]	-20...80	
Protection	IP 67; (mating connector plugged in)	
Mechanical data		
Weight [g]	0.001	
Materials	PA; socket: TPU orange; Sealing: FKM	
Material nut	brass, nickel-plated	
Drag chain suitability	yes	
Drag chain suitability	bending radius for flexible use	min. 10 x cable diameter
	travel speed	max. 3.3 m/s for a horizontal travel length of 5 m and max. acceleration of 5 m/s <sup>2</sup>
	bending cycles	> 5 Mio.
	torsional strain	± 180 °/m
Remarks		
Pack quantity	1 pcs.	

# E12729



## Connection cable

VDOGS040--S0002H04DOAH040MSS

### Electrical connection - socket

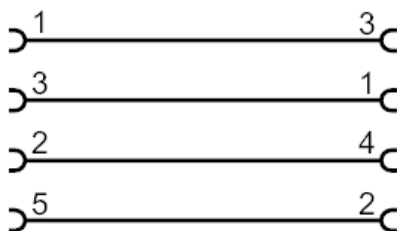
Connector: 1 x DEUTSCH connector, straight



### Electrical connection

Cable: 2 m, PUR, Halogen-free, black,  $\varnothing$  5.4 mm; 4 x 0.50 mm<sup>2</sup> (28 x  $\varnothing$  0.15 mm )

### Connection



### Electrical connection - socket

Connector: 1 x M12, angled; coding: A; Locking: brass, nickel-plated; Tightening torque: 0.6...1.5 Nm

