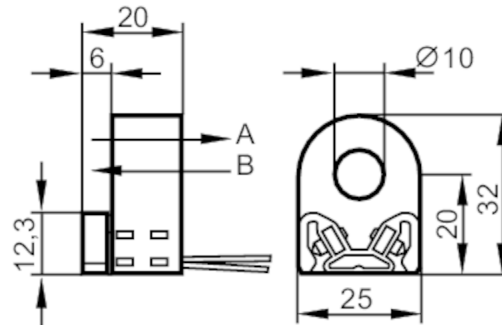


N7R29A



Inductive NAMUR ring sensor

I7R2010-NL/2M/1G/1D



A direction of movement A
B direction of movement B



Product characteristics	
Electrical design	NAMUR
Output function	normally closed
Housing	circular
Dimensions [mm]	32 x 25 x 20
Application	
Operating principle	bistable
Electrical data	
Connection to switching amplifiers	yes
Switching amplifiers	connection to certified intrinsically safe circuits with the max. values: U = 15 V / I = 50 mA / P = 120 mW
Nominal voltage DC [V]	8.2; (1kΩ)
Current consumption [mA]	value for direction of movement A : < 1,2; value for direction of movement B : > 2,1
Protection class	III
Outputs	
Electrical design	NAMUR
Output function	normally closed
Detection zone	
Measuring ball (diameter) [mm]	4
Max. travel speed [m/s]	10
Accuracy / deviations	
Hysteresis [mm]	2
Operating conditions	
Ambient temperature [°C]	-40...100
Note on ambient temperature	max. temperature span: 100 K
Protection	IP 67
Tests / approvals	
Approval	BVS 08 ATEX E026; IECEx BVS 09.0016
ATEX marking	II 1G Ex ia IIC T4 Ga

N7R29A



Inductive NAMUR ring sensor

I7R2010-NL/2M/1G/1D

II 1D Ex ia IIIC T125°C Da

EMC	EN 60947-5-2	
MTTF [years]		1256

Safety classification

Max. internal capacitance [nF]		90
Max. internal inductance [μH]		90

Mechanical data

Weight [g]		68
Housing		circular
Dimensions [mm]		32 x 25 x 20
Inside diameter [mm]		10
Materials		PA 12-GF30

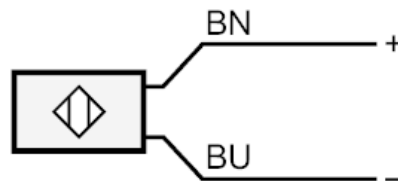
Remarks

Pack quantity		1 pcs.
---------------	--	--------

Electrical connection

Cable: 2 m; 2 x 0.14 mm², PTFE

Connection



BN = Core colours : brown
BU = blue