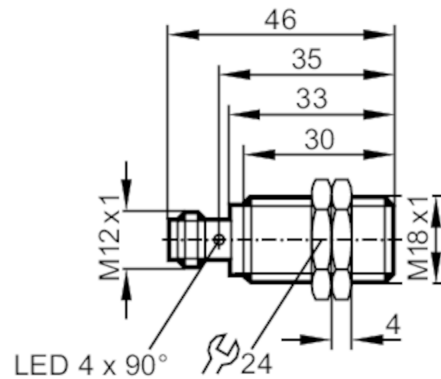




## Inductive sensor

IGB3005-BPKG/M/V4A/US-104-DPS




Product characteristics	
Electrical design	PNP
Output function	normally open
Sensing range [mm]	5
Housing	threaded type
Dimensions [mm]	M18 x 1 / L = 46
Application	
Special feature	Gold-plated contacts
Application	regular cleaning processes
Electrical data	
Operating voltage [V]	10...36 DC
Current consumption [mA]	< 10
Protection class	II
Reverse polarity protection	yes
Outputs	
Electrical design	PNP
Output function	normally open
Max. voltage drop switching output DC [V]	2.5
Permanent current rating of switching output DC [mA]	100
Switching frequency DC [Hz]	500
Short-circuit protection	yes
Type of short-circuit protection	pulsed
Overload protection	yes
Detection zone	
Sensing range [mm]	5
Real sensing range $S_r$ [mm]	$5 \pm 10\%$
Operating distance [mm]	0...4.05

# IGT237



## Inductive sensor

IGB3005-BPKG/M/V4A/US-104-DPS

Accuracy / deviations		
Correction factor	steel: 1 / stainless steel: 0.7 / brass: 0.4 / aluminium: 0.4 / copper: 0.3	
Hysteresis [% of Sr]	1...20	
Switch point drift [% of Sr]	-10...10	
Operating conditions		
Ambient temperature [°C]	0...100	
Protection	IP 68; IP 69K	
Tests / approvals		
EMC	EN 61000-4-2 ESD	4 kV CD / 8 kV AD
	EN 61000-4-3 HF radiated	10 V/m
	EN 61000-4-4 Burst	2 kV
	EN 61000-4-5 Surge	0,5 kV line to line, Ri: 2 Ohm
	EN 61000-4-6 HF conducted	10 V
	EN 55011	class B
MTTF [years]	1754	
UL approval	Ta	0...40 °C
	Enclosure type	Type 1
	power supply	Limited Voltage/Current
	File number UL	E174191
Mechanical data		
Weight [g]	44.7	
Housing	threaded type	
Mounting	flush mountable	
Dimensions [mm]	M18 x 1 / L = 46	
Thread designation	M18 x 1	
Materials	stainless steel (1.4404 / 316L); sensing face: PEEK	
Displays / operating elements		
Display	switching status	4 x 90° LED, yellow
Accessories		
Items supplied	lock nuts: 2	
Remarks		
Pack quantity	1 pcs.	
Electrical connection - plug		
Connector: 1 x M12; coding: A; Contacts: gold-plated		
		

# IGT237



## Inductive sensor

IGB3005-BPKG/M/V4A/US-104-DPS

### Connection

