

PF2953



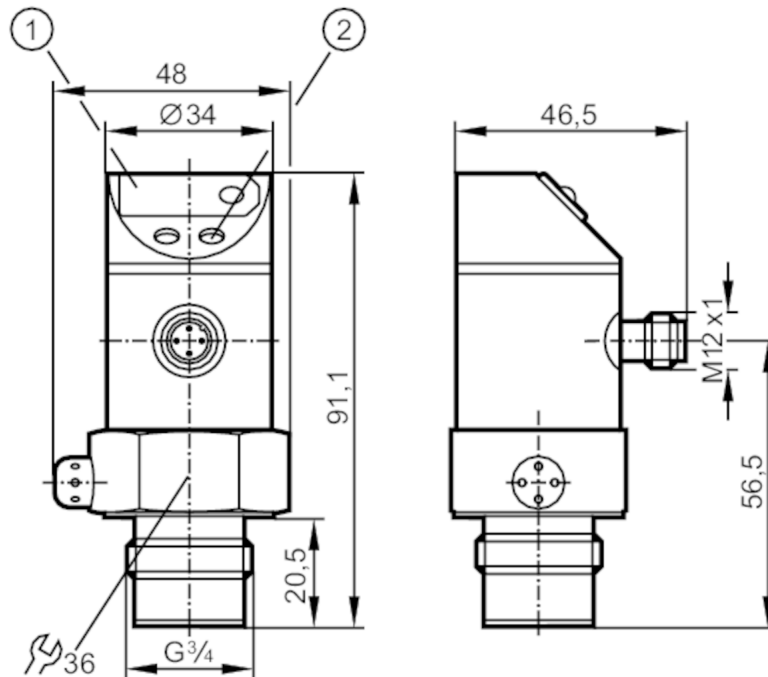
Flush pressure sensor

PF-025-REB34-MFRKG/US/ IP

phase-out article

Alternative articles: PM1503 + E30482

When selecting an alternative article and accessories please note that technical data may differ!



- 1 7-segment LED display
- 2 programming button



Product characteristics

Number of inputs and outputs	Number of digital outputs: 2; Number of analogue outputs: 1		
Measuring range	-1...25 bar	-15...363 psi	-0.1...2.5 MPa
Process connection	threaded connection G 3/4 external thread		

Application

Special feature	Gold-plated contacts		
Application	flush mountable for the food and beverage industry		
Installation	freely rotatable housing 350°		
Media	viscous media and liquids with suspended particles; liquids and gases		
Medium temperature [°C]	-25...80		
Min. bursting pressure	200 bar	2900 psi	20 MPa
Pressure rating	100 bar	1450 psi	10 MPa
Type of pressure	relative pressure; vacuum		
No dead space	yes		

Electrical data

Operating voltage [V]	20...30 DC		
Current consumption [mA]	< 60		

PF2953



Flush pressure sensor

PF-025-REB34-MFRKG/US/ IP

Min. insulation resistance	[MΩ]	100; (500 V DC)
Protection class		III
Reverse polarity protection		yes
Power-on delay time	[s]	0.2
Integrated watchdog		yes

Inputs / outputs

Number of inputs and outputs	Number of digital outputs: 2; Number of analogue outputs: 1
------------------------------	---

Outputs

Total number of outputs		2
Output signal		switching signal; analogue signal; (configurable)
Electrical design		PNP/NPN
Number of digital outputs		2
Output function		normally open / normally closed; (parameterisable)
Max. voltage drop switching output DC	[V]	2
Permanent current rating of switching output DC	[mA]	250
Switching frequency DC	[Hz]	< 170
Number of analogue outputs		1
Analogue current output	[mA]	4...20; (scalable 1:4)
Max. load	[Ω]	(U _b - 10 V) / 20 mA
Analogue voltage output	[V]	0...10; (scalable 1:4)
Min. load resistance	[Ω]	2000
Short-circuit protection		yes
Type of short-circuit protection		pulsed
Overload protection		yes

Measuring/setting range

Measuring range	-1...25 bar	-15...363 psi	-0.1...2.5 MPa
Set point SP	-0.8...25 bar	-12...363 psi	-0.08...2.5 MPa
Reset point rP	-0.9...24.9 bar	-13...362 psi	-0.09...2.49 MPa
Analogue start point	-1...18.8 bar	-15...272 psi	-0.1...1.88 MPa
Analogue end point	5.3...25 bar	76...363 psi	0.53...2.5 MPa
In steps of	0.1 bar	1 psi	0.01 MPa
Factory setting		SP1 = 6.3 bar ASP = 0.0 bar	rP1 = 5.8 bar AEP = 25.0 bar

Accuracy / deviations

Repeatability	[% of the span]	< ± 0,1; (with temperature fluctuations < 10 K; Turn down 1:1)
Characteristics deviation	[% of the span]	< ± 0,6; (Turn down 1:1, linearity, incl. hysteresis and repeatability, limit value setting to DIN EN IEC 62828-1)
Linearity deviation	[% of the span]	< ± 0,5; (Turn down 1:1)
Hysteresis deviation	[% of the span]	< ± 0,1; (Turn down 1:1)
Long-term stability	[% of the span]	< ± 0,1; (Turn down 1:1; per year)

PF2953



Flush pressure sensor

PF-025-REB34-MFRKG/US/ IP

Temperature coefficient zero point [% of the span / 10 K]	< ± 0,1; (0...80 °C)
Temperature coefficient span [% of the span / 10 K]	< ± 0,2; (0...80 °C)

Response times	
Response time [ms]	< 3
Damping process value dAP [s]	0...4
Damping for the analogue output dAA in steps [s]	0 - 0,1 - 0,5 - 2
Max. response time analogue output [ms]	3

Software / programming	
Parameter setting options	hysteresis / window; normally open / normally closed; switching logic; current/voltage output; Damping; adaptation of displayed values; display can be rotated and switched off; Display unit; zero point; span

Operating conditions	
Ambient temperature [°C]	-25...80
Storage temperature [°C]	-40...100
Protection	IP 67

Tests / approvals		
EMC	EN 61000-4-2 ESD	4 kV CD / 8 kV AD
	EN 61000-4-3 HF radiated	10 V/m
	EN 61000-4-4 Burst	2 kV
	EN 61000-4-6 HF conducted	10 V
Shock resistance	DIN IEC 68-2-27	50 g (11 ms)
Vibration resistance	DIN IEC 68-2-6	20 g (10...2000 Hz)
MTTF [years]		170

Mechanical data	
Weight [g]	269.65
Materials	stainless steel (1.4404 / 316L); PBT; PC; PEI; EPDM/X; FKM
Materials (wetted parts)	ceramics (99.9 % Al2O3); stainless steel (1.4435 / 316L); surface characteristics: Ra < 0,4 / Rz 4; PTFE
Min. pressure cycles	100 million
Process connection	threaded connection G 3/4 external thread

Displays / operating elements		
Display	switching status	2 x LED, red
	function display	7-segment LED display
	measured values	7-segment LED display
Display unit	bar; psi; MPa	

Remarks	
Notes	phase-out article
Pack quantity	1 pcs.

PF2953



Flush pressure sensor

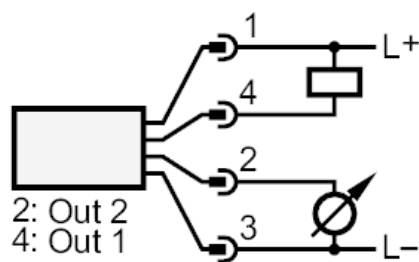
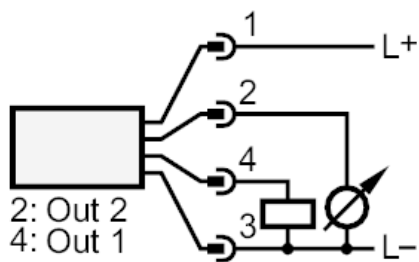
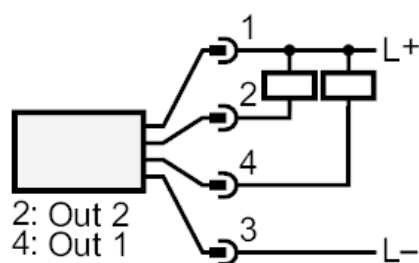
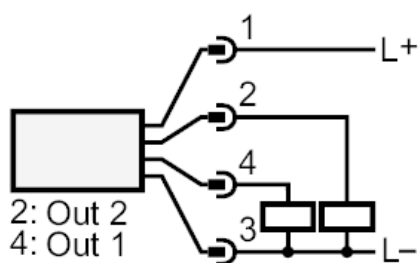
PF-025-REB34-MFRKG/US/ IP

Electrical connection

Connector: 1 x M12; coding: A; Contacts: gold-plated



Connection



OUT1 switching output
OUT2 switching output
 analogue output