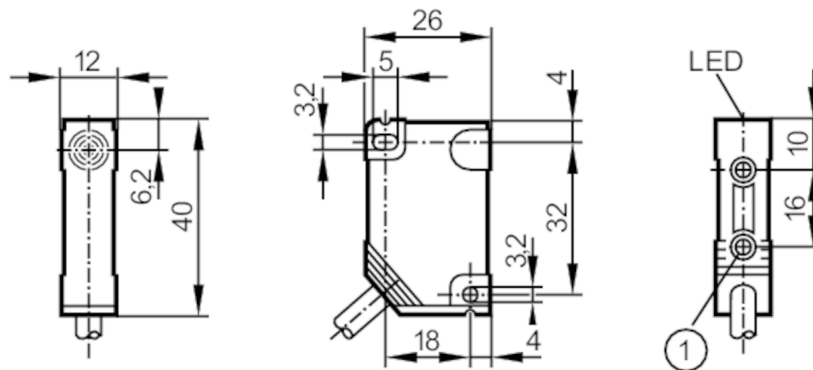


IN5392



Inductive sensor

IN-3004-BPKG/2,5M/US



- 1 threaded bush M3 Depth 5.8 mm
Tightening torque maximum 1.2 Nm screw fixing class 8.8
when brass insert in contact with counterpart



Product characteristics

Electrical design		PNP
Output function		normally open
Sensing range	[mm]	4
Housing		rectangular
Dimensions	[mm]	40 x 12 x 26

Electrical data

Operating voltage	[V]	10...36 DC
Current consumption	[mA]	< 15
Protection class		II
Reverse polarity protection		yes

Outputs

Electrical design		PNP
Output function		normally open
Max. voltage drop switching output DC	[V]	2.5
Permanent current rating of switching output DC	[mA]	250
Switching frequency DC	[Hz]	1200
Short-circuit protection		yes
Type of short-circuit protection		pulsed
Overload protection		yes

Detection zone

Sensing range	[mm]	4
Real sensing range S_r	[mm]	$4 \pm 10\%$
Operating distance	[mm]	0...3.25

Accuracy / deviations

Correction factor		steel: 1 / stainless steel: 0.7 / brass: 0.5 / aluminium: 0.4 / copper: 0.3
-------------------	--	---

IN5392



Inductive sensor

IN-3004-BPKG/2,5M/US

Hysteresis	[% of Sr]	1...15
Switch point drift	[% of Sr]	-10...10

Operating conditions

Ambient temperature	[°C]	-25...70
Protection		IP 67

Tests / approvals

EMC	EN 60947-5-2	
	EN 55011	class B
MTTF	[years]	1925

Mechanical data

Weight	[g]	164
Housing		rectangular
Mounting		non-flush mountable
Dimensions	[mm]	40 x 12 x 26
Materials		PBT; Lock nut: stainless steel

Displays / operating elements

Display	switching status	1 x LED, yellow
---------	------------------	-----------------

Remarks

Pack quantity		1 pcs.
---------------	--	--------

Electrical connection

Cable: 2.5 m, PVC; 3 x 0.14 mm²

Electrical connection - plug

Connector: 1 x M12; coding: A



Connection

