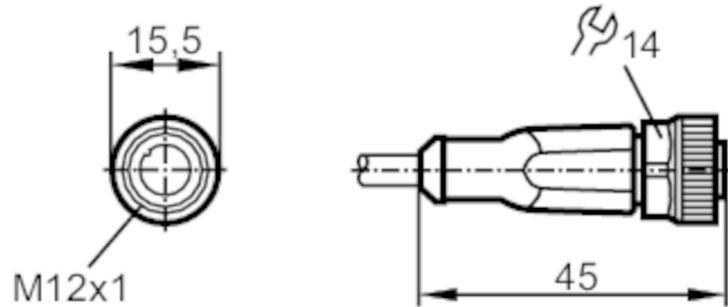


ENC09A



Connecting cable with socket

ADOGH050MSN0010H05/1G/1D



Application

Special feature	Free from silicone; Halogen-free; Gold-plated contacts
Free from silicone	yes
Compatible with paint	yes

Electrical data

Operating voltage [V]	< 30 DC
Protection class	II
Max. input power [mW]	group II: 1000; group IIIB: 1000; group IIIC: 550 (Ta < 90 °C) / 650 (Ta < 70 °C) / 750 (Ta < 40 °C)
Max. current load total [A]	1

Operating conditions

Ambient temperature [°C]	-25...90
Note on ambient temperature	for use in hazardous areas: ambient temperature in accordance with unit marking
Protection	IP 67; (when used outside the hazardous area: IP 68 / IP 69K)

Tests / approvals

Approval	BVS 11 ATEX E 009 X; IECEx BVS 11.0002 X
ATEX marking	Ex II 1G Ex ia IIB T6 Ga Ta: -25...80°C
	Ex II 2G Ex ia IIC T6 Gb Ta: -25...80°C
	Ex II 1D Ex ia IIIC T85°C Da Ta: -25...80°C
	Ex II 1G Ex ia IIB T5 Ga Ta: -25...90°C
	Ex II 2G Ex ia IIC T5 Gb Ta: -25...90°C
	Ex II 1D Ex ia IIIC T95°C Da Ta: -25...90°C

ENC09A



Connecting cable with socket

ADOGH050MSN0010H05/1G/1D

Safety classification

Max. internal capacitance	[nF]	1
Max. internal inductance	[μH]	20

Mechanical data

Weight	[g]	374.2
Dimensions	[mm]	15.5 x 15.5 x 45
Materials		housing: TPU orange; Sealing: FKM
Material nut		brass, nickel-plated

Remarks

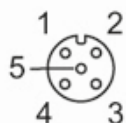
Remarks	Special conditions for safe operation apply for use in hazardous areas. Observe the corresponding notes in the operating instructions (Ex protection related part).
Pack quantity	1 pcs.

Electrical connection

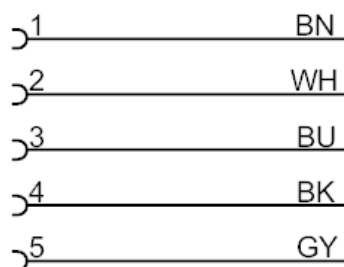
Cable: 10 m, PUR, Halogen-free, blue, Ø 4.9 mm; 5 x 0.34 mm² (42 x Ø 0.1 mm)

Electrical connection - socket

Connector: 1 x M12, straight; coding: A; Locking: brass, nickel-plated; Contacts: gold-plated; Tightening torque: 0.6...1.5 Nm



Connection



Core colours :
BK = black
BN = brown
BU = blue
GY = grey
WH = white