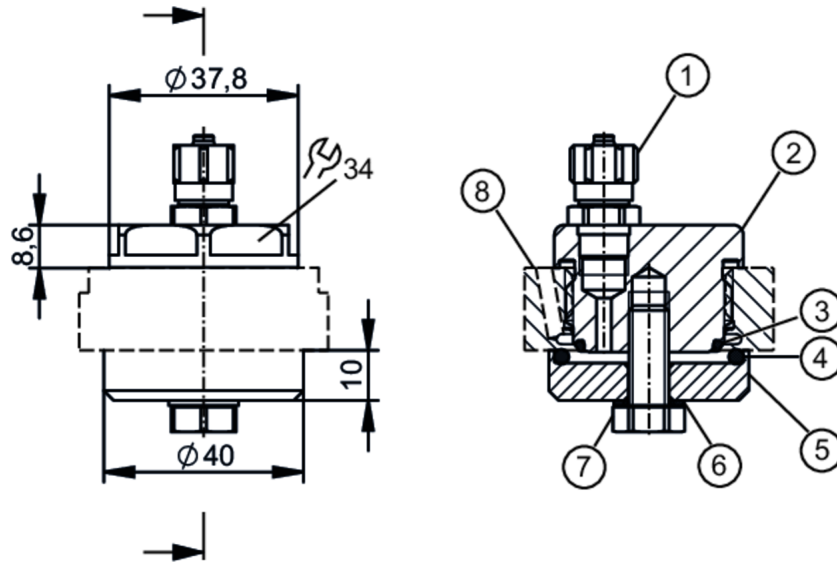


E30530



G1 ASEPTOFLEX VARIO leak test

LEAKTEST G1 ASEPTOFLEX VARIO



- 1 quick connector CK-1/8-PK-4 (2027)
- 2 end cap G1
- 3 O-ring 24.0x2.0 EPDM
- 4 O-ring 32.0x3.0 NBR
- 5 seal washer G1
- 6 Gasket stainless steel (1.4305 / 303) / NBR
- 7 socket head cap screw DIN EN ISO 4017 - M8x20
- 8 Adapter not supplied

Application	
Design	leak test for Aseptoflex Vario welding adapters
Application	leak test after welding and, if necessary, grinding process
Pressure rating [bar]	10
Mechanical data	
Weight [g]	290.4
Materials	stainless steel (1.4305 / 303); AI; EPDM; NBR
Process connection	G 1 Aseptoflex Vario
Remarks	
Pack quantity	1 pcs.