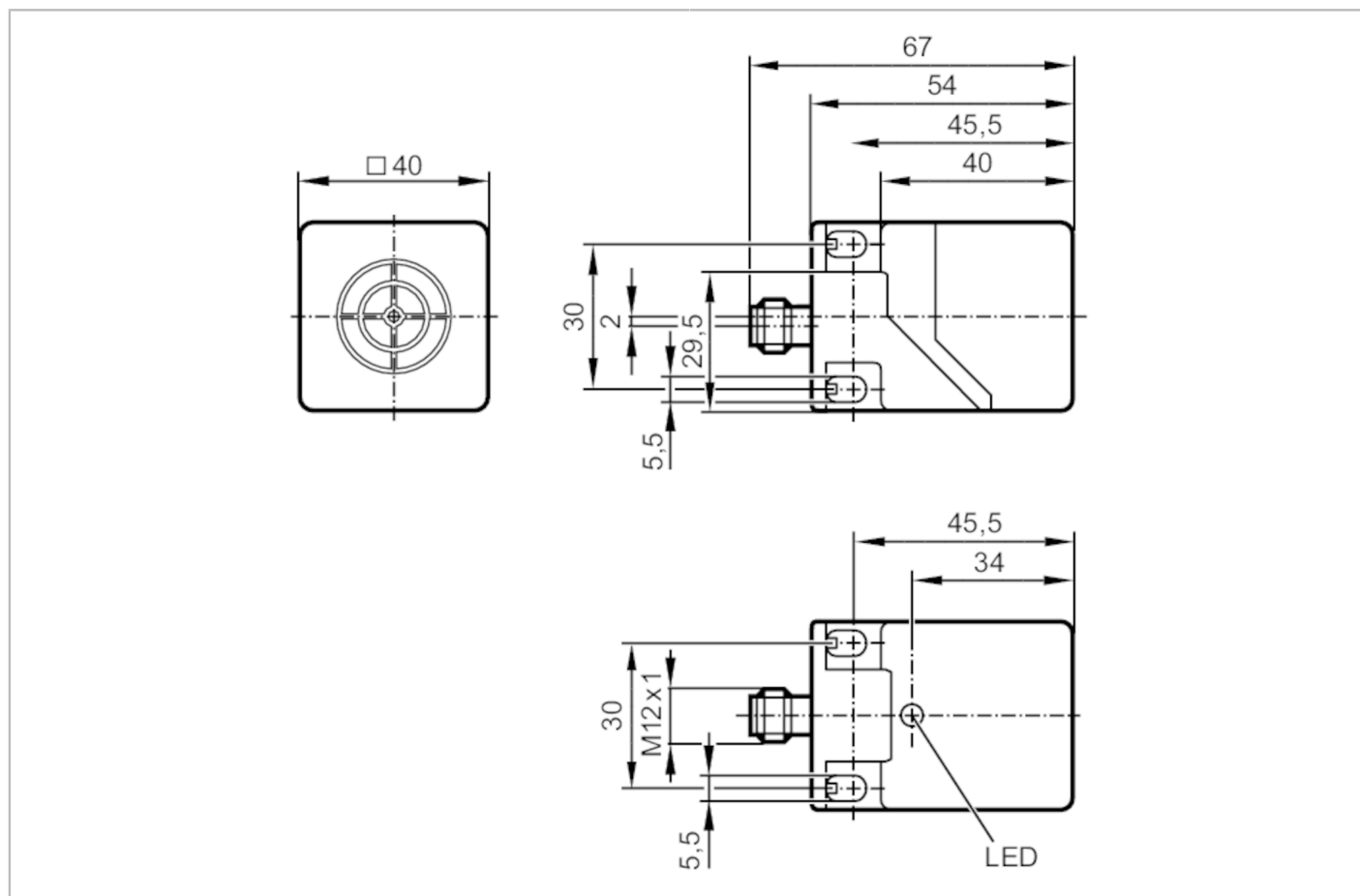


# IM511A



## Inductive sensor

IMC4040-CPKG/US/3D/3G



### Product characteristics

Electrical design		PNP
Output function		complementary
Sensing range	[mm]	40
Housing		rectangular
Dimensions	[mm]	40 x 40 x 54

### Application

Special feature		Gold-plated contacts
-----------------	--	----------------------

### Electrical data

Operating voltage	[V]	10...30 DC
Current consumption	[mA]	< 15
Protection class		III
Reverse polarity protection		yes

### Outputs

Electrical design		PNP
Output function		complementary
Max. voltage drop switching output DC	[V]	2.5
Max. leakage current	[mA]	0.5

# IM511A



## Inductive sensor

IMC4040-CPKG/US/3D/3G

Permanent current rating of switching output DC [mA]	200
Switching frequency DC [Hz]	60
Short-circuit proof	yes
Overload protection	yes

### Detection zone

Sensing range [mm]	40
Real sensing range Sr [mm]	40 ± 10 %
Operating distance [mm]	0...32.4

### Accuracy / deviations

Correction factor	steel: 1 / stainless steel: 0.7 / brass: 0.4 / aluminium: 0.3 / copper: 0.2
Hysteresis [% of Sr]	1...20
Switch point drift [% of Sr]	-10...10

### Operating conditions

Ambient temperature [°C]	-20...60
Protection	IP 65; IP 67

### Tests / approvals

ATEX marking	 II 3D Ex tc IIIC T95°C Dc X; II 3G Ex ec IIC T4 Gc X
EMC	EN 60947-5-2
MTTF [years]	1259

### Mechanical data

Weight [g]	175
Housing	rectangular
Mounting	non-flush mountable
Dimensions [mm]	40 x 40 x 54
Materials	PC; PA; TPE

### Displays / operating elements

Display	switching status	1 x LED, yellow
---------	------------------	-----------------

### Remarks

Remarks	Recommendation: Check the safe functioning of the unit after a short circuit. 5 positions of the active zone possible
Pack quantity	1 pcs.

### Electrical connection - plug

Connector: 1 x M12; coding: A; Contacts: gold-plated



# IM511A



## Inductive sensor

IMC4040-CPKG/US/3D/3G

### Connection

