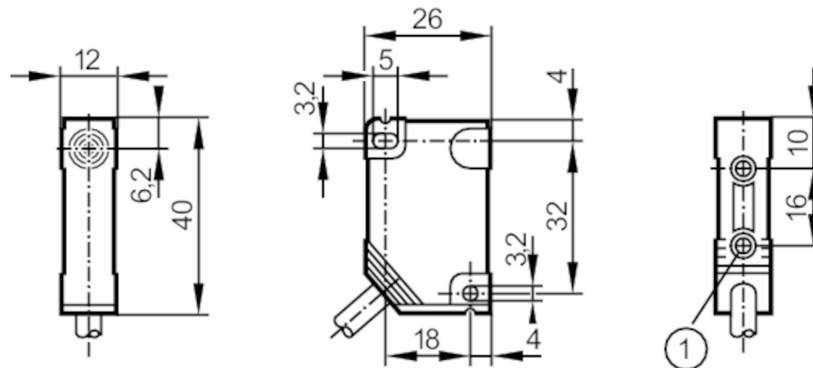


NN5002



Inductive NAMUR sensor

IN-2004-N/1D/1G/2G



- 1 threaded bush M3 Depth 5.8 mm
Tightening torque maximum 1.2 Nm screw fixing class 8.8
when brass insert in contact with counterpart



Product characteristics

Electrical design	NAMUR
Output function	normally closed
Sensing range [mm]	4
Housing	rectangular
Dimensions [mm]	40 x 12 x 26

Electrical data

Connection to switching amplifiers	yes
Switching amplifiers	connection to certified intrinsically safe circuits with the max. values: U = 15 V / I = 50 mA / P = 120 mW
Nominal voltage DC [V]	8.2; (1kΩ)
Supply voltage DC [V]	7.5...30; (when used outside the hazardous area)
Current consumption [mA]	< 1; (disabled; conductive: > 2,1)
Protection class	II

Outputs

Electrical design	NAMUR
Output function	normally closed
Permanent current rating of switching output DC [mA]	30; (when used outside the hazardous area)
Switching frequency DC [Hz]	400

Detection zone

Sensing range [mm]	4
Real sensing range Sr [mm]	4 ± 10 %

Accuracy / deviations

Correction factor	steel: 1 / stainless steel: 0.7 / brass: 0.5 / aluminium: 0.4 / copper: 0.3
Hysteresis [% of Sr]	1...15
Switch point drift [% of Sr]	-10...10

NN5002



Inductive NAMUR sensor

IN-2004-N/1D/1G/2G

Operating conditions

Ambient temperature	[°C]	-20...80
Protection		IP 67

Tests / approvals

Approval	PTB 01 ATEX 2191; BVS 04 ATEX E153; IECEx BVS 06.0003	
ATEX marking	II 1G Ex ia IIB T6 Ga	
	II 2G Ex ia IIC T6 Gb	
	II 1D Ex ia IIIC T 90°C Da	
EMC	EN 60947-5-6	
Shock/vibration resistance	30 g (11 ms) / 10-55 Hz (1 mm)	
MTTF	[years]	4899

Safety classification

Max. internal capacitance	[nF]	110
Max. internal inductance	[µH]	135

Mechanical data

Weight	[g]	147.5
Housing		rectangular
Mounting		non-flush mountable
Dimensions	[mm]	40 x 12 x 26
Materials		PBT

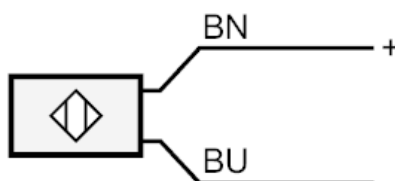
Remarks

Pack quantity		1 pcs.
---------------	--	--------

Electrical connection

Cable: 2 m, PVC; 2 x 0.5 mm²

Connection



Core colours :
BN = brown
BU = blue