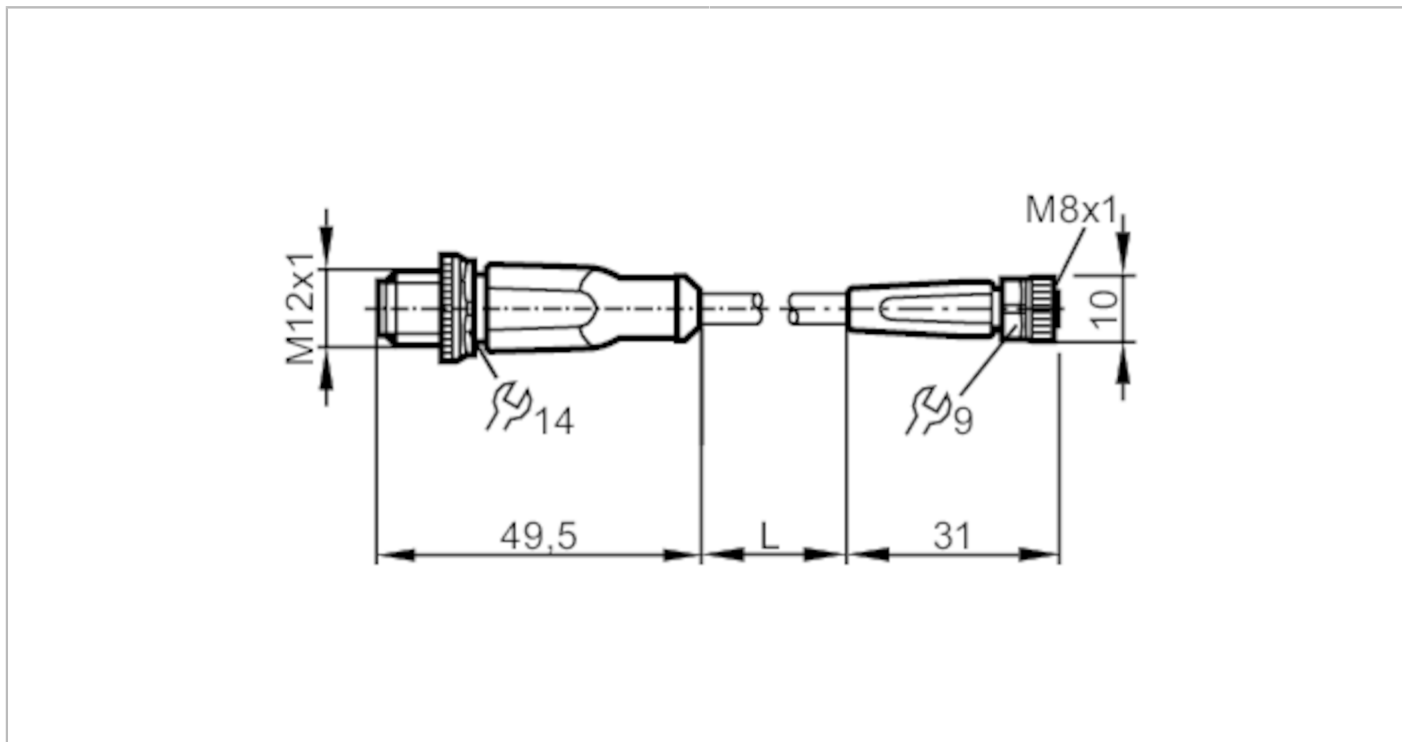


# EVC242



## Connection cable

VDOG F040MSS0001H04STGH040MSS



Application				
Free from silicone	yes			
Electrical data				
Operating voltage [V]	< 50 AC / < 60 DC			
Protection class	III			
Max. current load total [A]	3			
Operating conditions				
Ambient temperature [°C]	-25...90			
Note on ambient temperature	cULus: ...75			
Ambient temperature (moving) [°C]	-25...90			
Note on ambient temperature (moving)	cULus: ...75			
Protection	IP 65; IP 67; IP 68; IP 69K			
Mechanical data				
Weight [g]	55.6			
Materials	housing: TPU orange; Sealing: FKM			
Material nut	brass / brass			
Drag chain suitability	bending radius for flexible use	min. 10 x cable diameter		
	travel speed	max. 3.3 m/s for a horizontal travel length of 5 m and		

# EVC242



## Connection cable

VDOGF040MSS0001H04STGH040MSS

	max. acceleration of 5 m/s <sup>2</sup>		
bending cycles		> 5 Mio.	
torsional strain		± 180 °/m	

### Remarks

Pack quantity

1 pcs.

### Electrical connection

Cable: 1 m, PUR, Halogen-free, black, Ø 4.9 mm; 4 x 0.34 mm<sup>2</sup> (42 x Ø 0.1 mm )

### Electrical connection - socket

Connector: 1 x M8, straight; Locking: , brass, nickel-plated; Kontakte: gold-plated; Tightening torque: 0.3...0.5



### Electrical connection - plug

Connector: 1 x M12, straight; Locking: , brass, nickel-plated; Kontakte: gold-plated; Tightening torque: 0.6...1.5



### Connection

