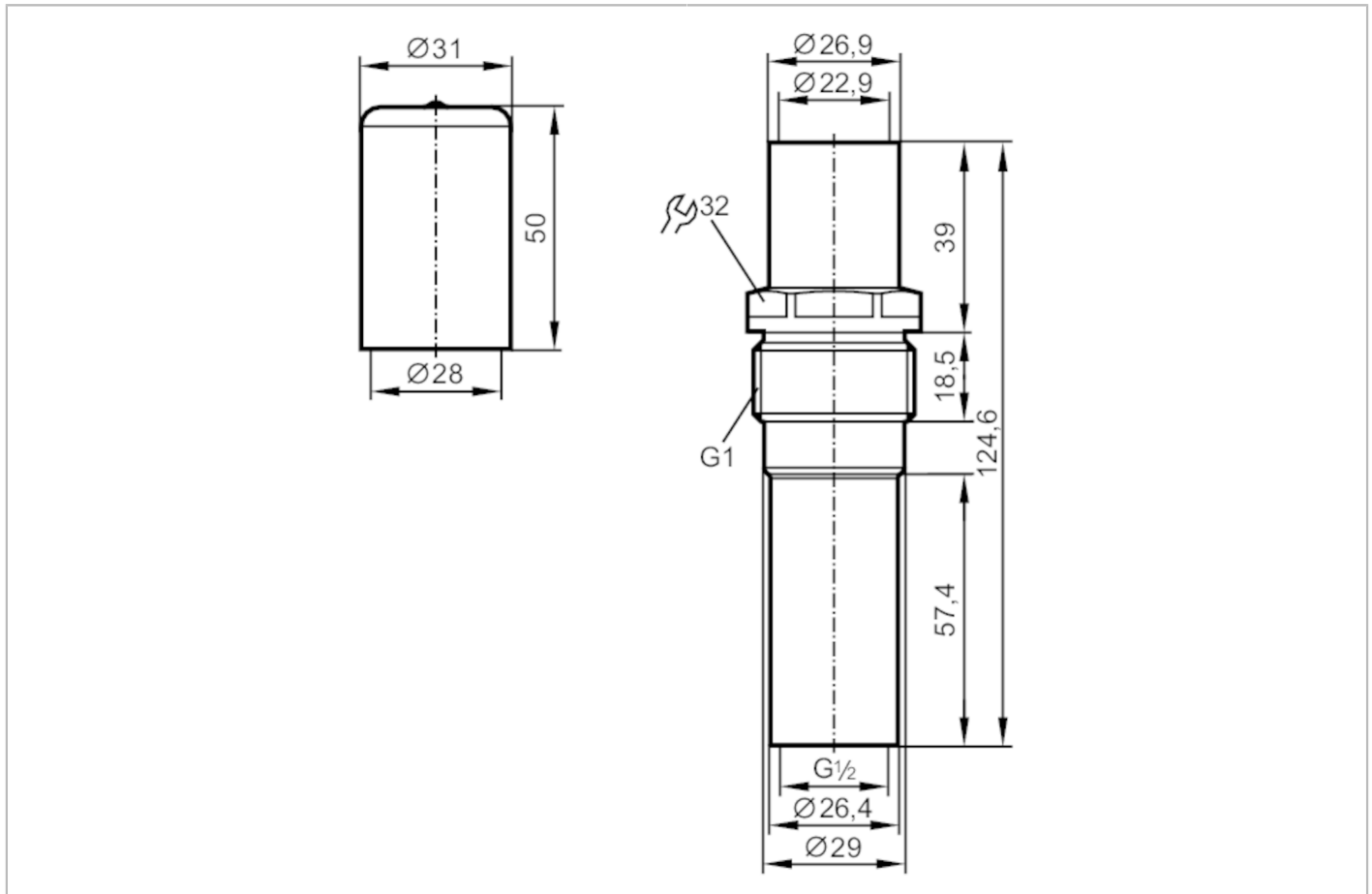


E43383



Screw-in adapter for process sensors

ADAPT F VIBRATION FORK SPARE



Application	
Pressure rating	[bar] 40
Tests / approvals	
Pressure Equipment Directive	A possible classification to PED depends on the application and has to be carried out by the user / operator.
Pressure Equipment Directive EAC	The adapter is intended for use in devices, machines and installations that do not fall under the categories of the technical rule TR CU 032/2013.
Safety instructions	The compatibility between medium and product material has to be checked in all applications.
Mechanical data	
Weight	[g] 276.5
Materials	Adapter: stainless steel (1.4404 / 316L); Cover: PVC
Sensor connection	G 1/2
Process connection	G 1
Accessories	
Items supplied	Cover
Remarks	
Pack quantity	1 pcs.