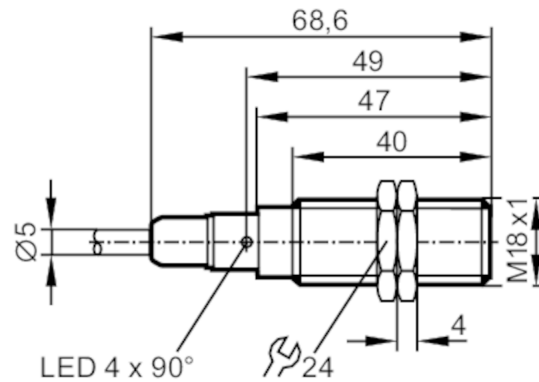


# OGS301



## Through-beam sensor transmitter

OGS-00KG/6M



### Product characteristics

Type of light	red light
Housing	threaded type

### Application

Function principle	Through-beam sensor
--------------------	---------------------

### Electrical data

Operating voltage [V]	10...36 DC
Current consumption [mA]	15
Protection class	II
Reverse polarity protection	yes
Type of light	red light

### Detection zone

Transmitter / receiver	transmitter
Range [m]	< 20
Range adjustable	no
Max. light spot diameter [mm]	800
Light spot dimensions refer to	at maximum range

### Operating conditions

Ambient temperature [°C]	-25...80
Protection	IP 65; IP 67; IP 68; IP 69K

### Tests / approvals

EMC	EN 60947-5-2
MTTF [years]	755

### Mechanical data

Weight [g]	245.8
Housing	threaded type
Dimensions [mm]	M18 x 1 / L = 68.6
Thread designation	M18 x 1
Materials	housing: stainless steel (1.4404 / 316L); Sealing: EPDM

# OGS301



## Through-beam sensor transmitter

OGS-00KG/6M

Lens material PMMA

### Displays / operating elements

Display operation 1 x LED, green

### Accessories

Items supplied lock nuts: 2

### Remarks

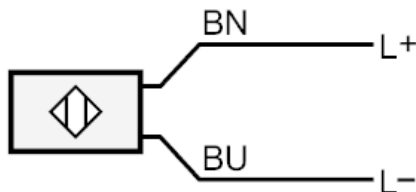
Remarks operating voltage "supply class 2" according to cULus

Pack quantity 1 pcs.

### Electrical connection

Cable: 6 m, PVC; 3 x 0.34 mm<sup>2</sup>

### Connection



BN = Core colours :  
brown  
BU = blue



## Through-beam sensor transmitter

OGS-00KG/6M

### Diagrams and graphs

excess gain graph

