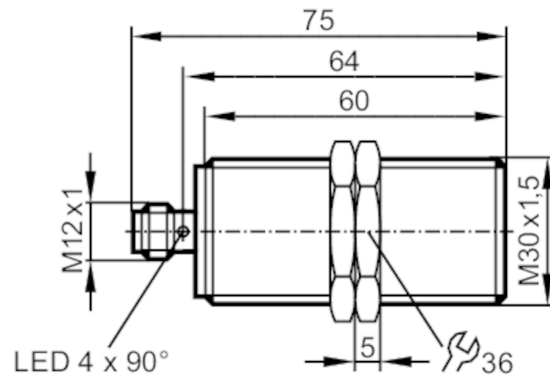




Inductive sensor

IIA3010-BPKG/V4A/US-104



Product characteristics

Electrical design	PNP
Output function	normally open
Sensing range [mm]	10
Housing	threaded type
Dimensions [mm]	M30 x 1.5 / L = 75

Application

Special feature	Gold-plated contacts
Application	Industrial applications / factory automation

Electrical data

Operating voltage [V]	10...30 DC
Current consumption [mA]	10
Protection class	II
Reverse polarity protection	yes

Outputs

Electrical design	PNP
Output function	normally open
Max. voltage drop switching output DC [V]	2.5
Permanent current rating of switching output DC [mA]	200
Switching frequency DC [Hz]	250
Short-circuit protection	yes
Type of short-circuit protection	pulsed
Overload protection	yes

Detection zone

Sensing range [mm]	10
Real sensing range S_r [mm]	$10 \pm 10 \%$
Operating distance [mm]	0...8.1



Inductive sensor

IIA3010-BPKG/V4A/US-104

Accuracy / deviations		
Correction factor	steel: 1 / stainless steel: 0.7 / brass: 0.5 / aluminium: 0.4 / copper: 0.3	
Hysteresis [% of Sr]	1...20	
Switch point drift [% of Sr]	-10...10	
Operating conditions		
Ambient temperature [°C]	-25...80	
Protection	IP 67	
Tests / approvals		
EMC	EN 61000-4-2 ESD	4 kV CD / 8 kV AD
	EN 61000-4-3 HF radiated	10 V/m
	EN 61000-4-4 Burst	2 kV
	EN 61000-4-6 HF conducted	10 V
	EN 55011	class B
MTTF [years]	1083	
UL approval	Ta	0...40 °C
	Enclosure type	Type 1
	power supply	Hazardous voltage
	UL Approval no.	A004
	File number UL	E174191
Mechanical data		
Weight [g]	162.5	
Housing	threaded type	
Mounting	flush mountable	
Dimensions [mm]	M30 x 1.5 / L = 75	
Thread designation	M30 x 1.5	
Materials	housing: stainless steel (1.4404 / 316L); sensing face: PBT white; LED window: PEI; lock nuts: stainless steel (1.4404 / 316L)	
Tightening torque [Nm]	80	
Displays / operating elements		
Display	switching status	4 x LED, yellow
Accessories		
Items supplied	lock nuts: 2	
Remarks		
Pack quantity	1 pcs.	
Electrical connection - plug		
Connector: 1 x M12; coding: A; Contacts: gold-plated		

II5689

Inductive sensor

IIA3010-BPKG/V4A/US-104



Connection

