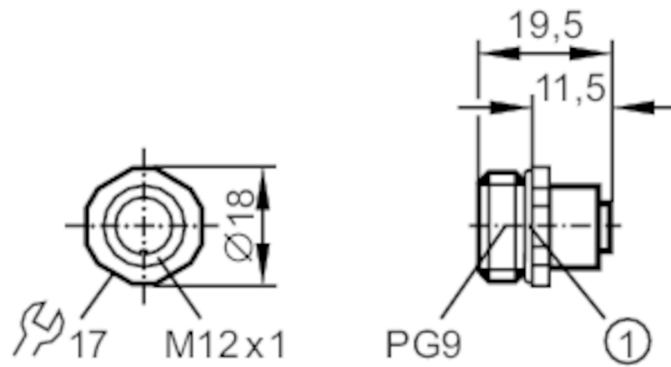


E70156



Adapter socket

ADOGH040--S0,50



1 O-ring



Electrical data

Operating voltage [V] < 250 AC/DC

Operating conditions

Ambient temperature [°C] -25...85

Protection IP 68

Mechanical data

Weight [g] 28.7

Mounting thread PG 9

Materials diecast zinc nickel-plated

Moulded-body material diecast zinc, nickel-plated

Remarks

Pack quantity 1 pcs.

Electrical connection

Cable: 0.5 m, PVC; 4 x 0.25 mm²

Electrical connection - socket

Connector: 1 x M12; coding: A; Moulded body: diecast zinc, nickel-plated

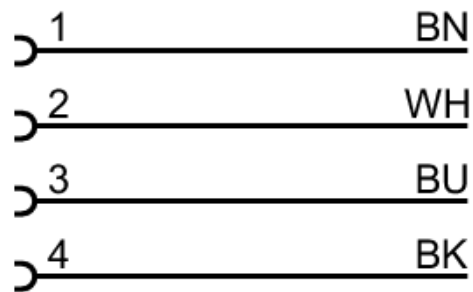
E70156

Adapter socket

ADOGH040--S0,50



Connection



Core colours :

BK = black
BN = brown
BU = blue
WH = white