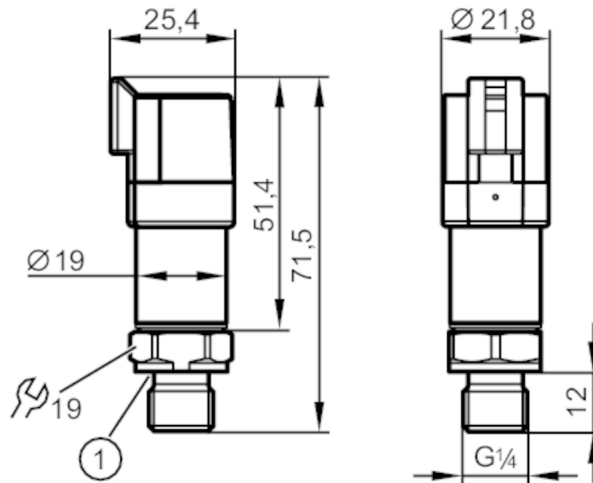


PU8760



Pressure transmitter

PU-600-SEG14-V-DVG/DE



1 Sealing



Product characteristics

Number of inputs and outputs	Number of analogue outputs: 1		
Measuring range	0...600 bar	0...8700 psi	0...60 MPa
Process connection	threaded connection G 1/4 external thread (DIN EN ISO 1179-2)		

Application

Measuring element	metallic thin film cell		
Application	for mobile applications		
Media	liquids and gases		
Medium temperature [°C]	-40...125		
Min. bursting pressure	2500 bar	36255 psi	250 MPa
Pressure rating	1500 bar	21755 psi	150 MPa
Note on pressure rating	static		
Vacuum resistance	-1000 mbar	-0.1 MPa	
Type of pressure	relative pressure		

Electrical data

Operating voltage [V]	8...32 DC		
Current consumption [mA]	< 12		
Min. insulation resistance [MΩ]	100; (500 V DC)		
Protection class	III		
Reverse polarity protection	yes		
Power-on delay time [s]	< 0.1		

Inputs / outputs

Number of inputs and outputs	Number of analogue outputs: 1		
------------------------------	-------------------------------	--	--

Outputs

Total number of outputs	1		
Output signal	analogue signal		
Number of analogue outputs	1		
Analogue voltage output [V]	0.5...4.5		

PU8760



Pressure transmitter

PU-600-SEG14-V-DVG/DE

Min. load resistance	[Ω]	2000
Short-circuit proof		yes
Overload protection		yes

Measuring/setting range

Measuring range	0...600 bar	0...8700 psi	0...60 MPa
-----------------	-------------	--------------	------------

Accuracy / deviations

Repeatability	[% of the span]	< ± 0,05; (with temperature fluctuations < 10 K)
Characteristics deviation	[% of the span]	< ± 0,8; (incl. drift when overtightened, zero point and span error, non-linearity, hysteresis)
Linearity deviation	[% of the span]	< ± 0,25 (BFSL) / < ± 0,5 (LS)
Hysteresis deviation	[% of the span]	< ± 0,2
Long-term stability	[% of the span]	< ± 0,1; (per 6 months)
Temperature coefficient zero point	[% of the span / 10 K]	< ± 0,1 (0...80 °C); < ± 0,2 (-40...0 °C / 80...125 °C)
Temperature coefficient span	[% of the span / 10 K]	< ± 0,1 (0...80 °C); < ± 0,2 (-40...0 °C / 80...125 °C)

Response times

Step response time analogue output	[ms]	2
------------------------------------	------	---

Operating conditions

Ambient temperature	[°C]	-40...100
Storage temperature	[°C]	-40...100
Protection		IP 67; IP 69K

Tests / approvals

EMC	compliant with UN ECE R10, rev. 5	
	ISO 11452-2	100 V/m
	DIN EN 61326-1	
Shock resistance	DIN EN 60068-2-27	500 g (1 ms)
Vibration resistance	DIN EN 60068-2-6	20 g (10...2000 Hz)
MTTF	[years]	658
Pressure Equipment Directive		Modul A; can be used for group 2 fluids; group 1 fluids on request

Mechanical data

Weight	[g]	62
Housing		cylindrical
Dimensions	[mm]	Ø 19 / L = 71.5
Materials		stainless steel (630/1.4542/17-4 PH); stainless steel (316L/1.4404); PPS
Materials (wetted parts)		stainless steel (630/1.4542/17-4 PH); stainless steel (303/1.4305)
Min. pressure cycles		60 million; (at 1.2 times nominal pressure)
Tightening torque	[Nm]	30...50; (recommended tightening torque; depends on lubrication, seal and pressure rating)
Process connection		threaded connection G 1/4 external thread (DIN EN ISO 1179-2)
Process connection sealing		HNBR (DIN EN ISO 1179-2)

PU8760



Pressure transmitter

PU-600-SEG14-V-DVG/DE

Restrictor element integrated yes

Remarks

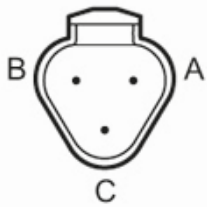
Remarks BFSL = Best Fit Straight Line

LS = limit value setting

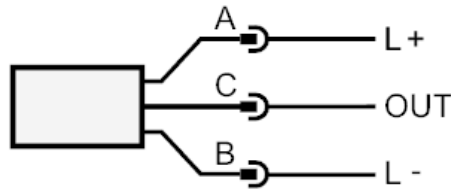
Pack quantity 1 pcs.

Electrical connection

Connector: 1 x DEUTSCH connector (DT04-3P); Maximum cable length: 30 m



Connection



OUT analogue output