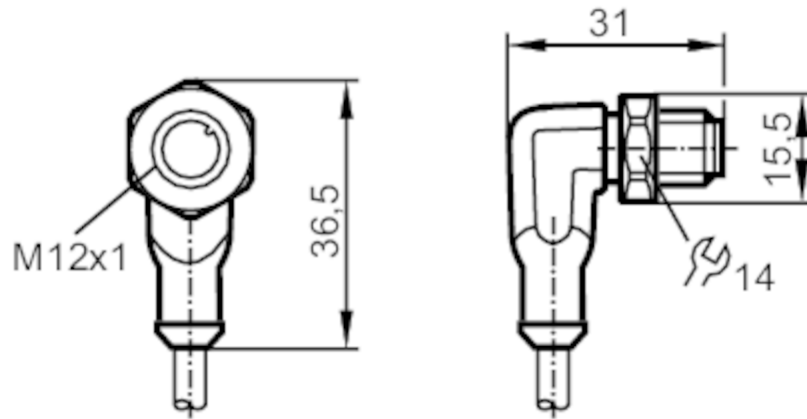


EVC16A



Connecting cable with plug

ASTAH040VAT0005H04/3G/2D



Application

| | |
|--------------------|--|
| Special feature | Free from silicone; Halogen-free; Gold-plated contacts |
| Free from silicone | yes |

Electrical data

| | |
|-----------------------------|------------|
| Operating voltage [V] | < 60 AC/DC |
| Protection class | II |
| Max. current load total [A] | 2 |

Operating conditions

| | |
|--------------------------|---|
| Ambient temperature [°C] | -20...60 |
| Protection | IP 67; (when used outside the hazardous area: IP 68 / IP 69K) |

Tests / approvals

| | |
|--------------|---|
| Approval | BVS 08 ATEX E 109 U; IECEx BVS 08.0041 U |
| ATEX marking |  II 3G Ex ec IIC Gc; II 2D Ex tb IIIC Db IP65/IP67 |

Mechanical data

| | |
|--------------|---------------------------------|
| Weight [g] | 198.2 |
| Materials | housing: TPU orange |
| Material nut | stainless steel (1.4404 / 316L) |

Remarks

| | |
|---------------|--------|
| Pack quantity | 1 pcs. |
|---------------|--------|

EVC16A



Connecting cable with plug

ASTAH040VAT0005H04/3G/2D

Electrical connection

Cable: 5 m, PUR, Halogen-free, black, Ø 4.9 mm; 4 x 0.34 mm² (42 x Ø 0.1 mm)

Electrical connection - plug

Connector: 1 x M12, angled; coding: A; Locking: stainless steel (1.4404 / 316L); Contacts: gold-plated; Tightening torque: 1.2...1.5 Nm



Connection

| | |
|---|----|
| 1 | BN |
| 2 | WH |
| 3 | BU |
| 4 | BK |

| | |
|------|----------------|
| | Core colours : |
| BK = | black |
| BN = | brown |
| BU = | blue |
| WH = | white |