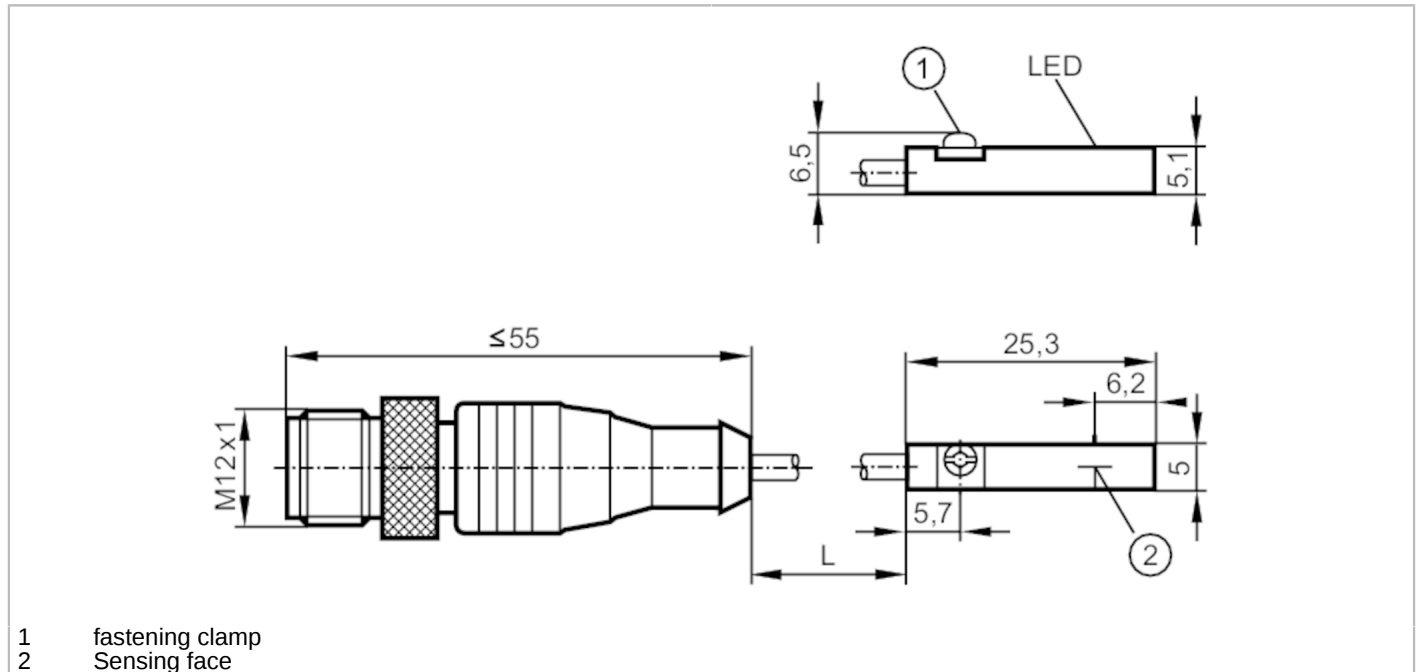


MK5132



T-slot cylinder sensor

MKT3028BBPKG/G/2,0M/ZH/US



Product characteristics

Electrical design	PNP
Output function	normally open
Dimensions [mm]	25 x 5 x 6.5

Electrical data

Operating voltage [V]	10...30 DC; ("supply class 2" to cULus)
Current consumption [mA]	< 10
Protection class	III
Reverse polarity protection	yes
Max. power-on delay time [ms]	30

Outputs

Electrical design	PNP
Output function	normally open
Max. voltage drop switching output DC [V]	2.5
Permanent current rating of switching output DC [mA]	200
Switching frequency DC [Hz]	10000
Short-circuit protection	yes
Overload protection	yes

Detection zone

Response sensitivity [mT]	2.8
Travel speed [m/s]	> 10

Accuracy / deviations

Hysteresis [mm]	< 1.5
-----------------	-------

MK5132



T-slot cylinder sensor

MKT3028BBPKG/G/2,0M/ZH/US

Repeatability [mm] < 0.2

Operating conditions

Ambient temperature [°C] -25...85

Protection IP 65; IP 67

Tests / approvals

EMC	EN 61000-4-2 ESD	- CD / 8 kV AD
	EN 61000-4-3 HF radiated	10 V/m
	EN 61000-4-4 Burst	2 kV
	EN 61000-4-5 Surge	0,5 kV line to line, Ri: 2 Ohm
	EN 61000-4-6 HF conducted	10 V
	EN 55011	class B

MTTF [years] 3694

UL approval UL Approval no. C003

Mechanical data

Weight [g] 39.8

Mounting flush mountable

Type of mounting fixing element with combined head slot / hexagon socket AF 1.5

Cylinder type T-slot cylinders

Dimensions [mm] 25 x 5 x 6.5

Materials housing: PA; fastening clamp: stainless steel

Displays / operating elements

Display switching status 1 x LED, yellow

Accessories

Items supplied rubber placeholder: 1

Cable clip: 1

Remarks

Pack quantity 1 pcs.

Electrical connection - plug

Cable: 2 m, PUR

Connector: 1 x M12; coding: A; Locking: knurled nut, rotatable



MK5132

T-slot cylinder sensor

MKT3028BBPKG/G/2,0M/ZH/US



Connection

