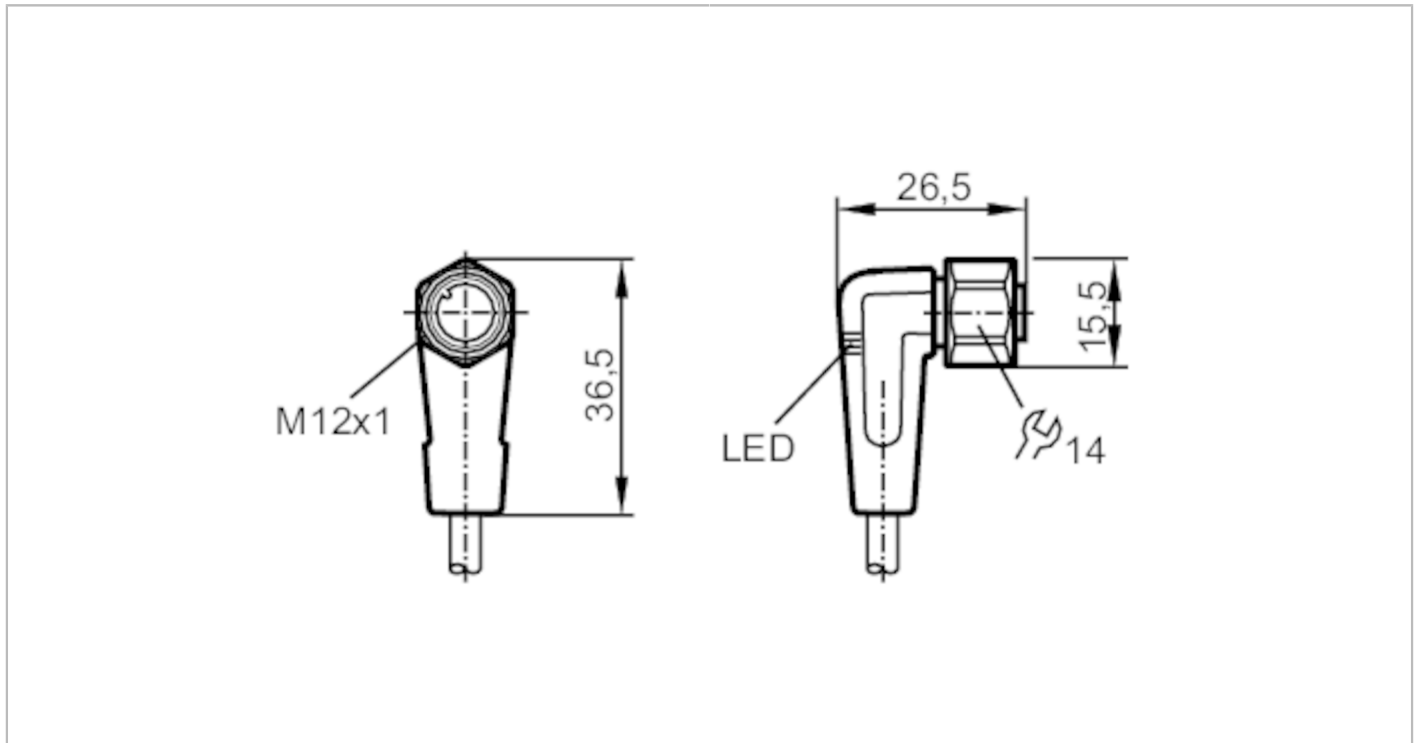


EVT070



Connecting cable with socket

ADOAH043VAS0050E04



| Application | |
|--------------------------------------|--|
| Special feature | Free from silicone; Gold-plated contacts; Drag chain suitability |
| Application | hygienic and wet areas in the food industry |
| Free from silicone | yes |
| Electrical data | |
| Operating voltage [V] | 10...36 DC |
| Protection class | II |
| Max. current load total [A] | 4 |
| Outputs | |
| Electrical design | PNP |
| Operating conditions | |
| Ambient temperature [°C] | -25...100 |
| Note on ambient temperature | cULus: ...50 |
| Ambient temperature (moving) [°C] | 5...100 |
| Note on ambient temperature (moving) | cULus: ...50 |
| Protection | IP 65; IP 67; IP 68; IP 69K |
| Tests / approvals | |
| MTTF [years] | 20027 |
| Mechanical data | |
| Weight [g] | 1834 |
| Dimensions [mm] | 26.5 x 15.5 x 36.5 |
| Materials | housing: PVC black transparent; Sealing: EPDM |

EVT070



Connecting cable with socket

ADOAH043VAS0050E04

| | | |
|------------------------|---------------------------------|--|
| Material nut | stainless steel (1.4404 / 316L) | |
| Drag chain suitability | yes | |
| Drag chain suitability | bending radius for flexible use | min. 10 x cable diameter |
| | travel speed | max. 3.3 m/s for a horizontal travel length of 5 m and max. acceleration of 5 m/s ² |
| | bending cycles | > 1 Mio. |
| | torsional strain | ± 180 °/m |

Displays / operating elements

| | | |
|---------|------------------|-----------------|
| Display | switching status | 2 x LED, yellow |
| | operation | 1 x LED, green |

Remarks

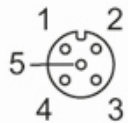
| | |
|---------------|--------|
| Pack quantity | 1 pcs. |
|---------------|--------|

Electrical connection

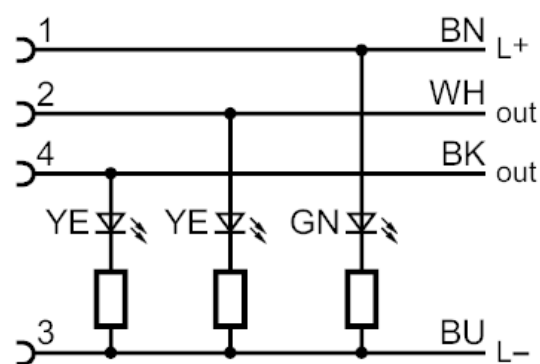
Cable: 50 m, PVC, orange, Ø 4.9 mm; 4 x 0.34 mm² (42 x Ø 0.1 mm)

Electrical connection - socket

Connector: 1 x M12, angled; coding: A; Locking: stainless steel (1.4404 / 316L); Contacts: gold-plated; Tightening torque: 0.6...1.5 Nm



Connection



| | |
|------|----------------|
| | Core colours : |
| BK = | black |
| BN = | brown |
| BU = | blue |
| WH = | white |