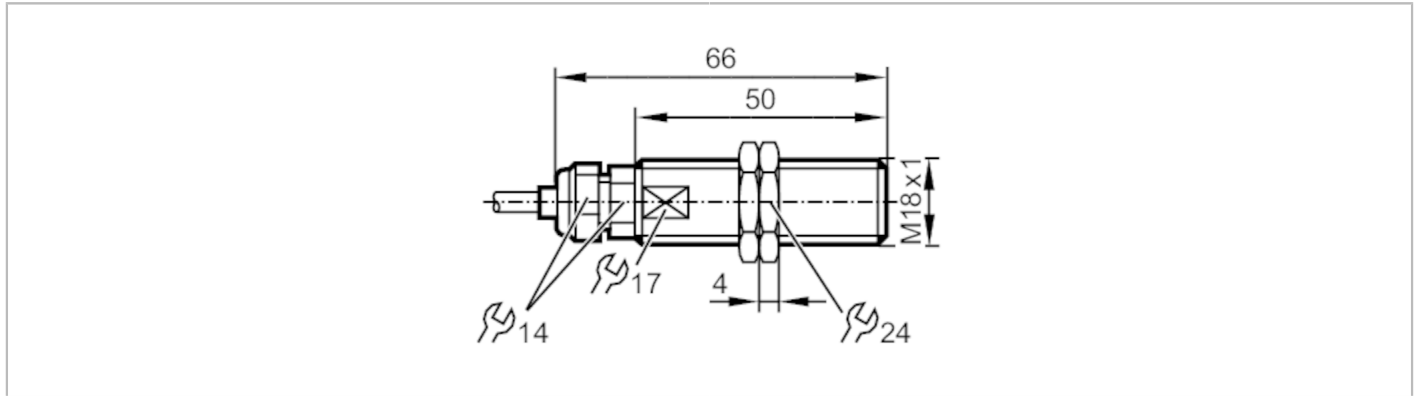


# MGT000



## Magnetic sensor

MGK2030-AKOA/R/2M



Product characteristics	
Electrical design	PNP/NPN
Output function	normally open
Sensing range [mm]	25; (referred to magnet M 4.0)
Housing	threaded type
Dimensions [mm]	M18 x 1 / L = 66
Application	
Special feature	Full-metal housing
Application	high-temperature applications
Electrical data	
Operating voltage [V]	2...250 AC/DC
Protection class	II
Reverse polarity protection	yes
Outputs	
Electrical design	PNP/NPN
Output function	normally open
Permanent current rating of switching output AC [mA]	1000
Permanent current rating of switching output DC [mA]	1000
Short-time current rating of switching output [mA]	1000
Max. switching power [W]	100
Short-circuit protection	no
Overload protection	no
Detection zone	
Sensing range [mm]	25; (referred to magnet M 4.0)
Response sensitivity [mT]	7.5
Operating conditions	
Ambient temperature [°C]	-40...180
Protection	IP 65; IP 68; IP 69K

# MGT000



## Magnetic sensor

MGK2030-AKOA/R/2M

Tests / approvals		
EMC	EN 61000-4-2 ESD	kV CD / 8 kV AD
	EN 61000-4-3 HF radiated	10 V/m
	EN 61000-4-4 Burst	2 kV
	EN 61000-4-5 Surge	1,0 kV line to line, Ri: 2 Ohm
	EN 61000-4-6 HF conducted	10 V
	EN 55011	class B
Shock resistance	EN 60947-5-1	
Vibration resistance	EN 60947-5-1	
MTTF [years]		57078

Mechanical data		
Weight [g]		212
Housing		threaded type
Dimensions [mm]		M18 x 1 / L = 66
Thread designation		M18 x 1
Materials		housing: stainless steel (1.4404 / 316L); sensing face: stainless steel (1.4404 / 316L); lock nuts: brass
Tightening torque for cable gland [Nm]		5
Tightening torque [Nm]		50
Full-metal housing		yes

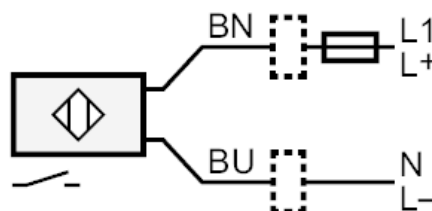
Electrical connection	
Required protection	miniature fuse to IEC60127-2 sheet 1; $\leq 0,175$ A; fast acting

Accessories	
Items supplied	lock nuts: 2

Remarks	
Pack quantity	1 pcs.

Electrical connection	
Cable: 2 m, silicone; 2 x 0.75 mm <sup>2</sup>	

Connection	
------------	--



Note miniature fuse to IEC60127-2 sheet 1  $\leq 0.175$  A fast acting

Core colours :

BN = brown  
BU = blue