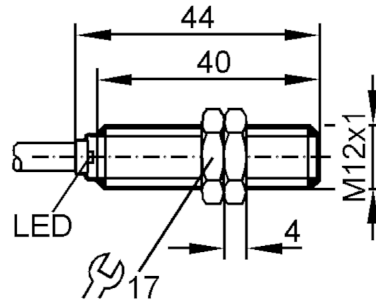


# IF6027



## Inductive sensor

IFB3002-BPKG/V2A/10-55V/6M/BH



### Product characteristics

Electrical design	PNP
Output function	normally open
Sensing range [mm]	2
Housing	threaded type
Dimensions [mm]	M12 x 1

### Application

Special feature	Halogen-free
-----------------	--------------

### Electrical data

Operating voltage [V]	10...55 DC
Current consumption [mA]	< 15
Protection class	III
Reverse polarity protection	yes

### Outputs

Electrical design	PNP
Output function	normally open
Max. voltage drop switching output DC [V]	2.5
Permanent current rating of switching output DC [mA]	125; (150 (...50 °C))
Short-time current rating of switching output [mA]	150
Switching frequency DC [Hz]	1000
Short-circuit protection	yes

# IF6027



## Inductive sensor

IFB3002-BPKG/V2A/10-55V/6M/BH

Type of short-circuit protection		pulsed
Overload protection		yes
<b>Detection zone</b>		
Sensing range	[mm]	2
Real sensing range Sr	[mm]	2 ± 10 %
Operating distance	[mm]	0...1.6
<b>Accuracy / deviations</b>		
Correction factor		steel: 1 / stainless steel: 0.7 / brass: 0.5 / aluminium: 0.4 / copper: 0.3
Hysteresis	[% of Sr]	3...15
Switch point drift	[% of Sr]	-10...10
<b>Operating conditions</b>		
Ambient temperature	[°C]	-25...80
Protection		IP 67
<b>Tests / approvals</b>		
EMC		EN 60947-5-2
MTTF	[years]	2383
<b>Mechanical data</b>		
Weight	[g]	231
Housing		threaded type
Mounting		flush mountable
Dimensions	[mm]	M12 x 1
Thread designation		M12 x 1
Materials		housing: stainless steel (1.4305 / 303); sensing face: PBT; end cap: TPE
<b>Displays / operating elements</b>		
Display	switching status	1 x LED, yellow
<b>Accessories</b>		
Items supplied		lock nuts: 2
<b>Remarks</b>		
Pack quantity		1 pcs.

# IF6027



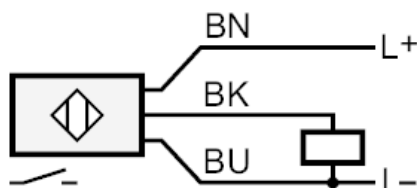
## Inductive sensor

IFB3002-BPKG/V2A/10-55V/6M/BH

### Electrical connection

Cable: 6 m, PUR, Halogen-free; 3 x 0.34 mm<sup>2</sup>

### Connection



	Core colours
BN	brown
BK	black
BU	blue