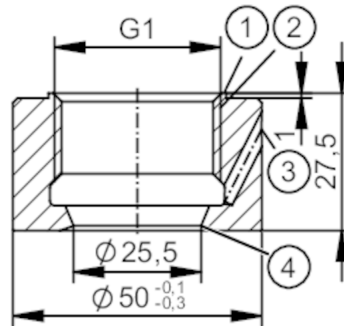


E30498



Welding adapter for process sensors

WELDING ADAPT G1 V4A



- 1 G1 Internal thread Aseptoflex Vario
- 2 Leakage port
- 3 sealing area

EHEDG Certified

Application

Design	with leakage port
Pressure rating [bar]	16
Note on pressure rating	for the connection sensor - adapter

Tests / approvals

Pressure Equipment Directive	A possible classification to PED depends on the application and has to be carried out by the user / operator.
Pressure Equipment Directive EAC	The adapter is intended for use in devices, machines and installations that do not fall under the categories of the technical rule TR CU 032/2013.
Safety instructions	The compatibility between medium and product material has to be checked in all applications.

Mechanical data

Weight [g]	312.8
Materials	stainless steel (1.4435 / 316L)
Sensor connection	G 1 sealing cone
Process connection	welding adapter \varnothing 50 mm
Surface characteristics Ra/Rz of the wetted parts	0.4 / 4

Remarks

Pack quantity	1 pcs.
---------------	--------